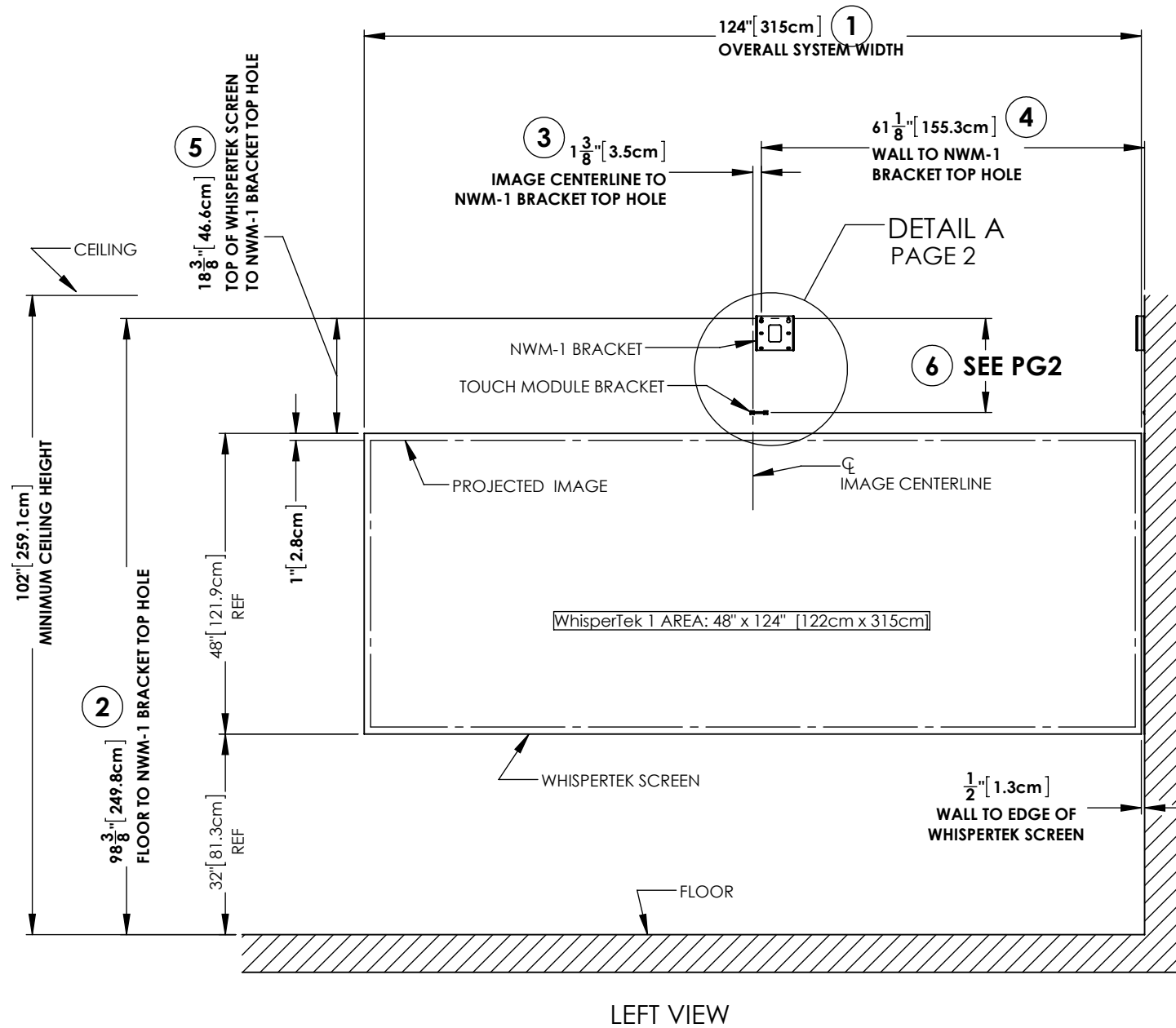


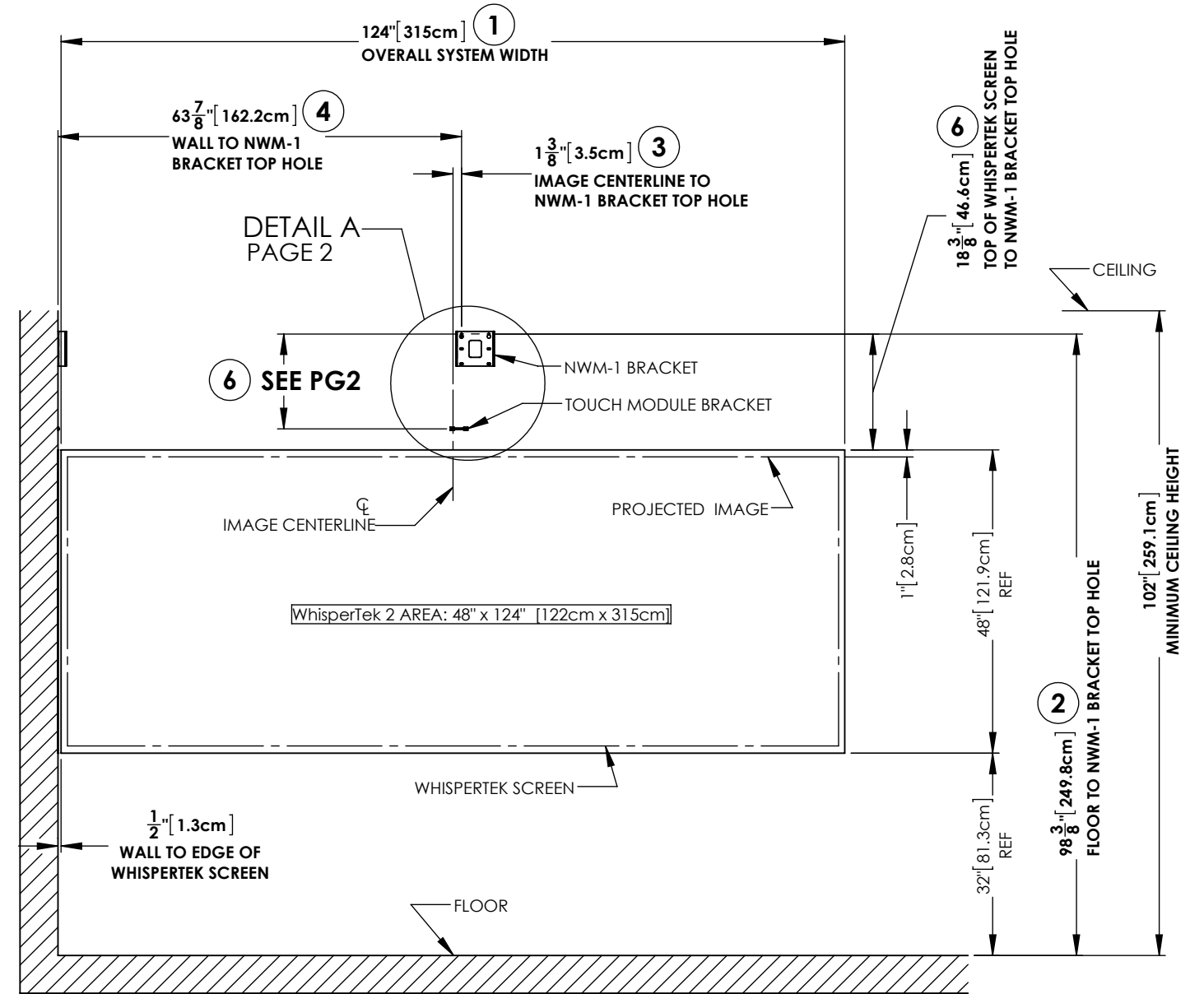
SPAN SYSTEM
CORNER INSTALLATION

NOTES:

1. DIMENSIONS ① - ⑥ ARE CRITICAL TO THE PROPER INSTALLATION OF THE SPAN SYSTEM.
2. OPTICAL OFFSET TO IMAGE CENTERLINE AS GIVEN IN DIMENSION ③
3. NWM-1 BRACKET DIMENSIONS ARE TAKEN FROM THE TOP LEFT KEYHOLE AS GIVEN IN DIMENSION ② - ⑥



LEFT VIEW

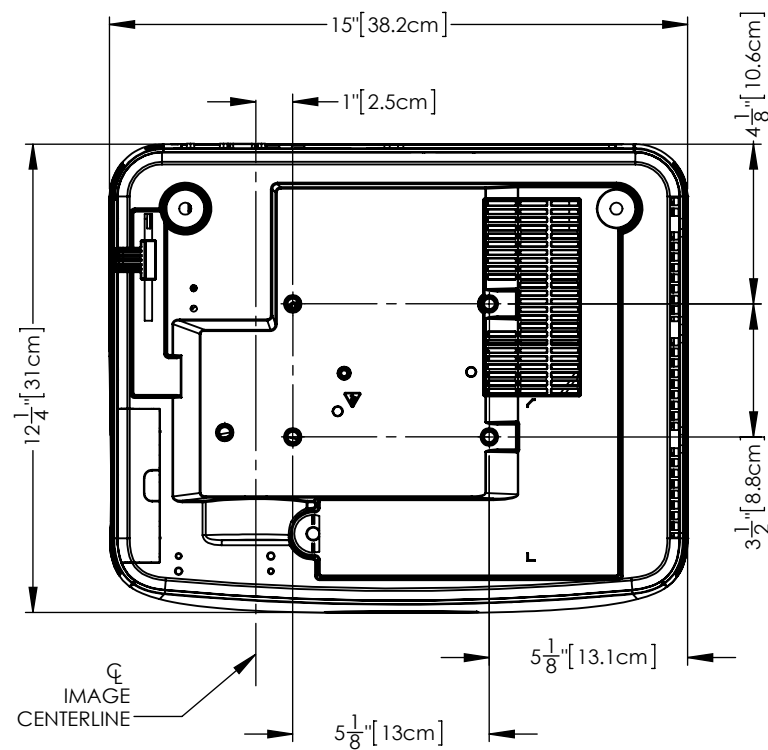
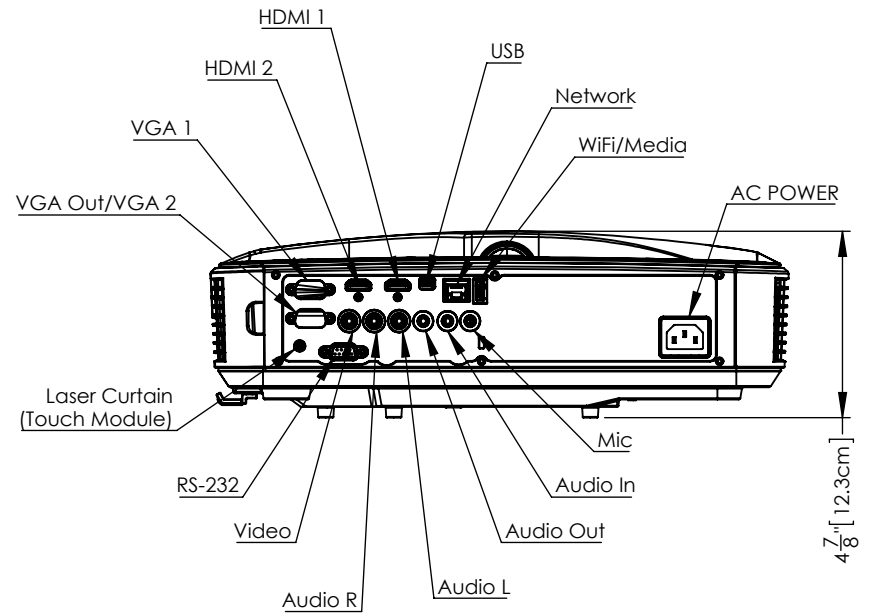


RIGHT VIEW

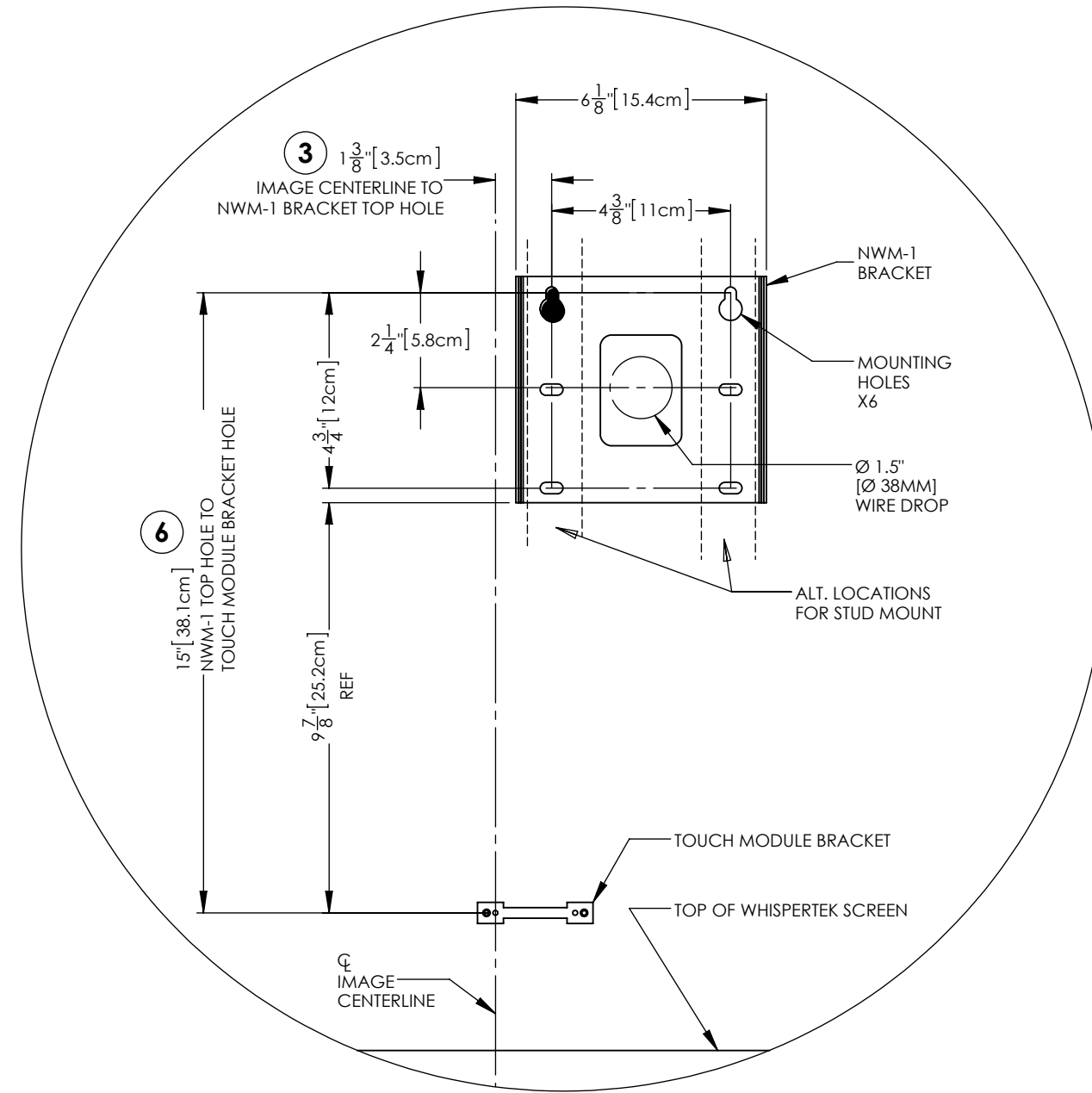
DRAWING NUMBER	101112
DESCRIPTION	SPAN™ SYSTEM CORNER INSTALLATION DIAGRAM
REVISION	03
DATE	April 25, 2017
PAGE	1 OF 2

NOTES:

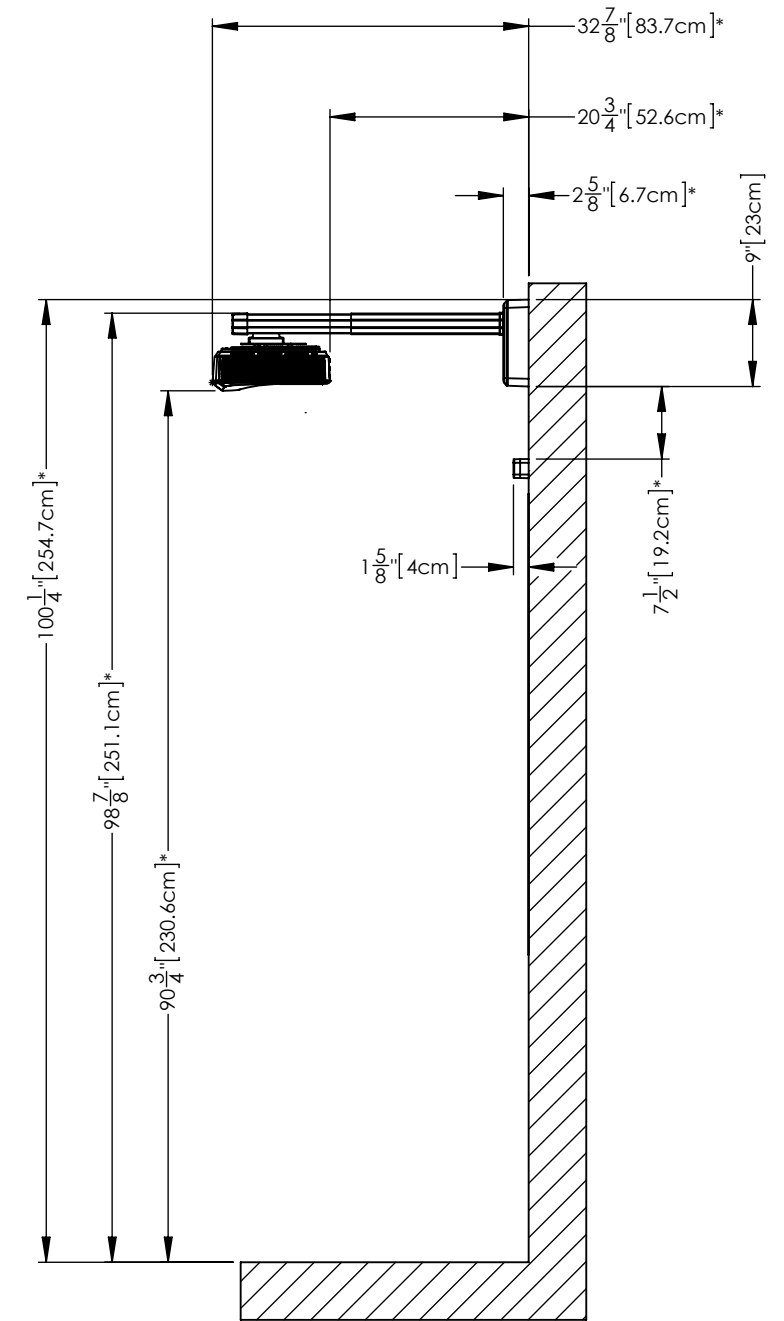
1. DIMENSIONS ① - ⑥ ARE CRITICAL TO THE PROPER INSTALLATION OF THE SPAN SYSTEM.
2. OPTICAL OFFSET TO IMAGE CENTERLINE AS GIVEN IN DIMENSION ③
3. NWM-1 BRACKET DIMENSIONS ARE TAKEN FROM THE TOP LEFT KEYHOLE AS GIVEN IN DIMENSION ② - ⑥



PROJECTOR DETAILS



DETAIL A
TYPICAL WALL MOUNT BRACKET
AND TOUCH MODULE BRACKET



SIDE VIEW
* NOMINAL DIMENSIONS WILL VARY WITH PROJECTED IMAGE TOLERANCE

DRAWING NUMBER	101112
DESCRIPTION	SPAN™ SYSTEM CORNER INSTALLATION DIAGRAM
REVISION	03
DATE	April 25, 2017
PAGE	2 OF 2