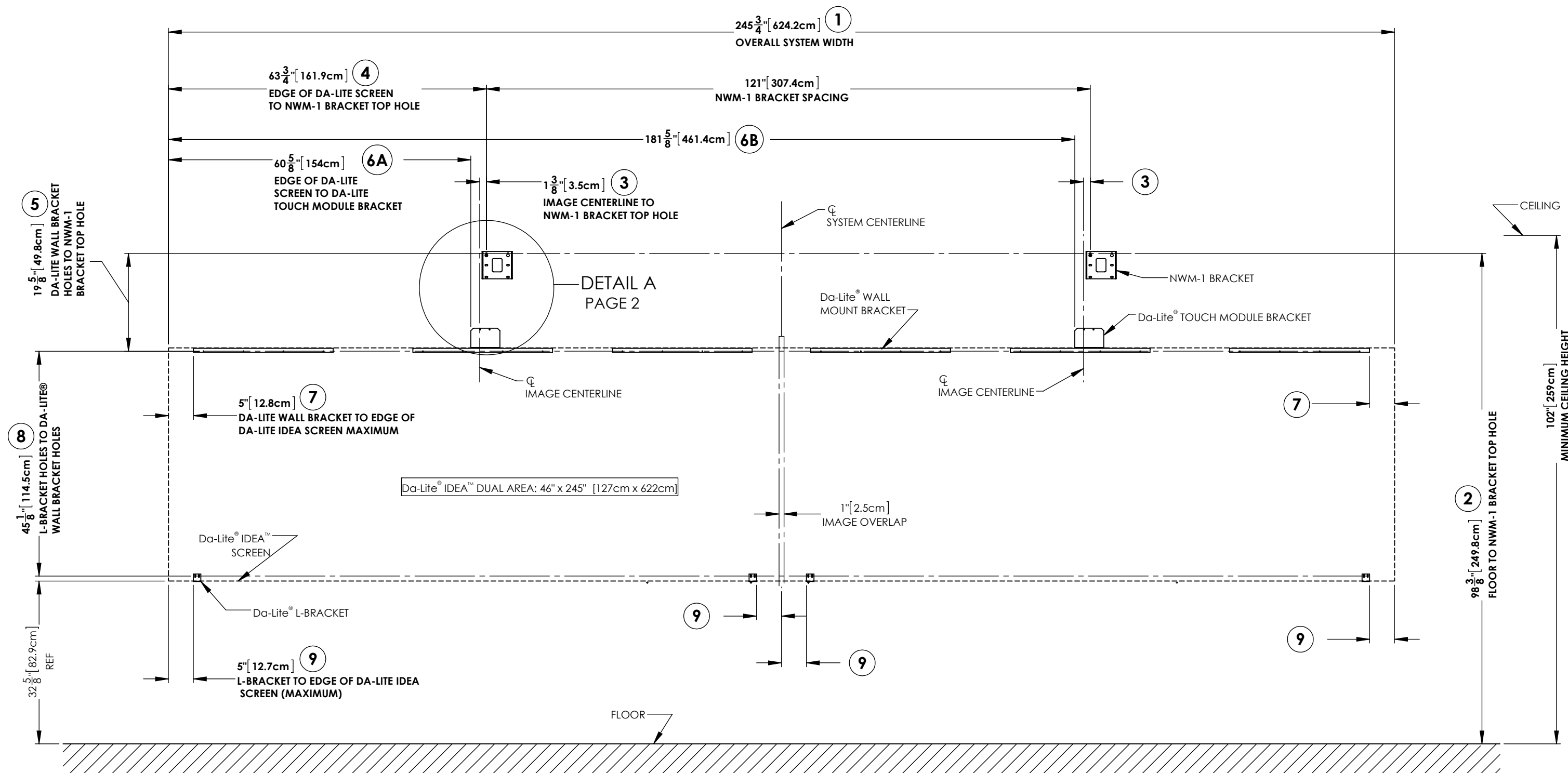


NOTES:

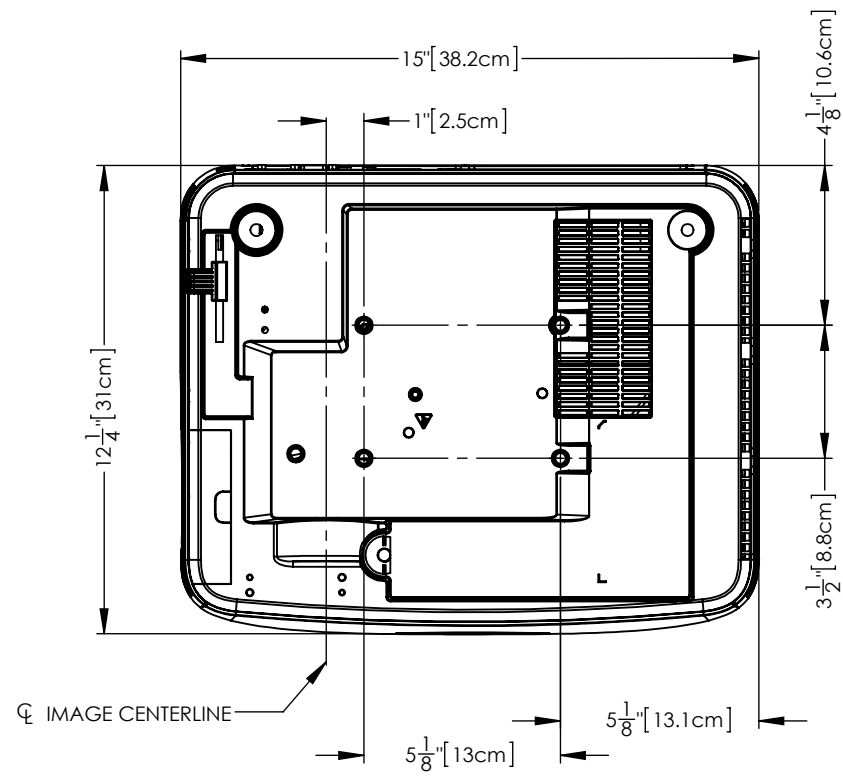
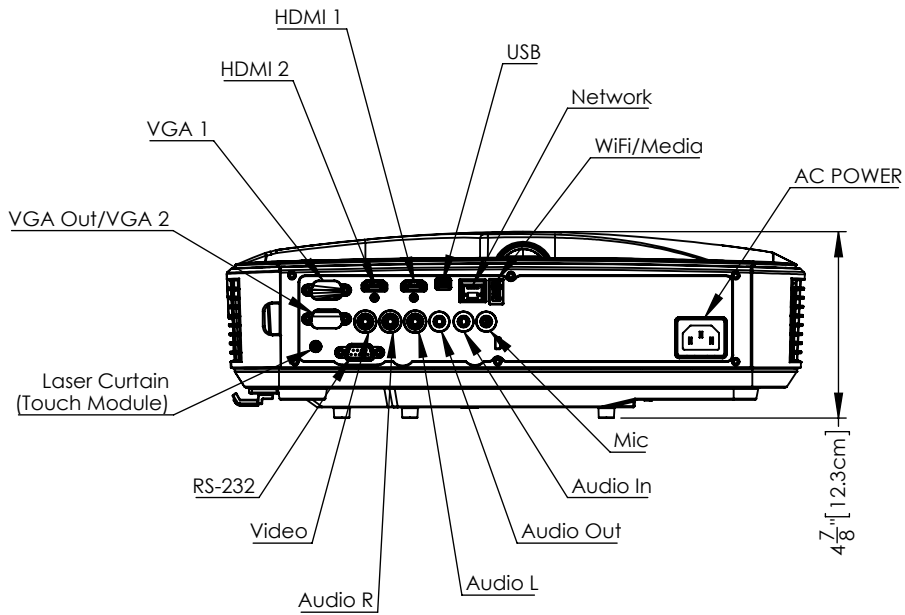
1. DIMENSIONS ① - ⑨ ARE CRITICAL TO THE PROPER INSTALLATION OF THE SPAN SYSTEM.
2. OPTICAL OFFSET TO IMAGE CENTERLINE AS GIVEN IN DIMENSION ③
3. NWM-1 BRACKET DIMENSIONS ARE TAKEN FROM THE TOP LEFT KEYHOLE AS GIVEN IN DIMENSION ② - ⑤



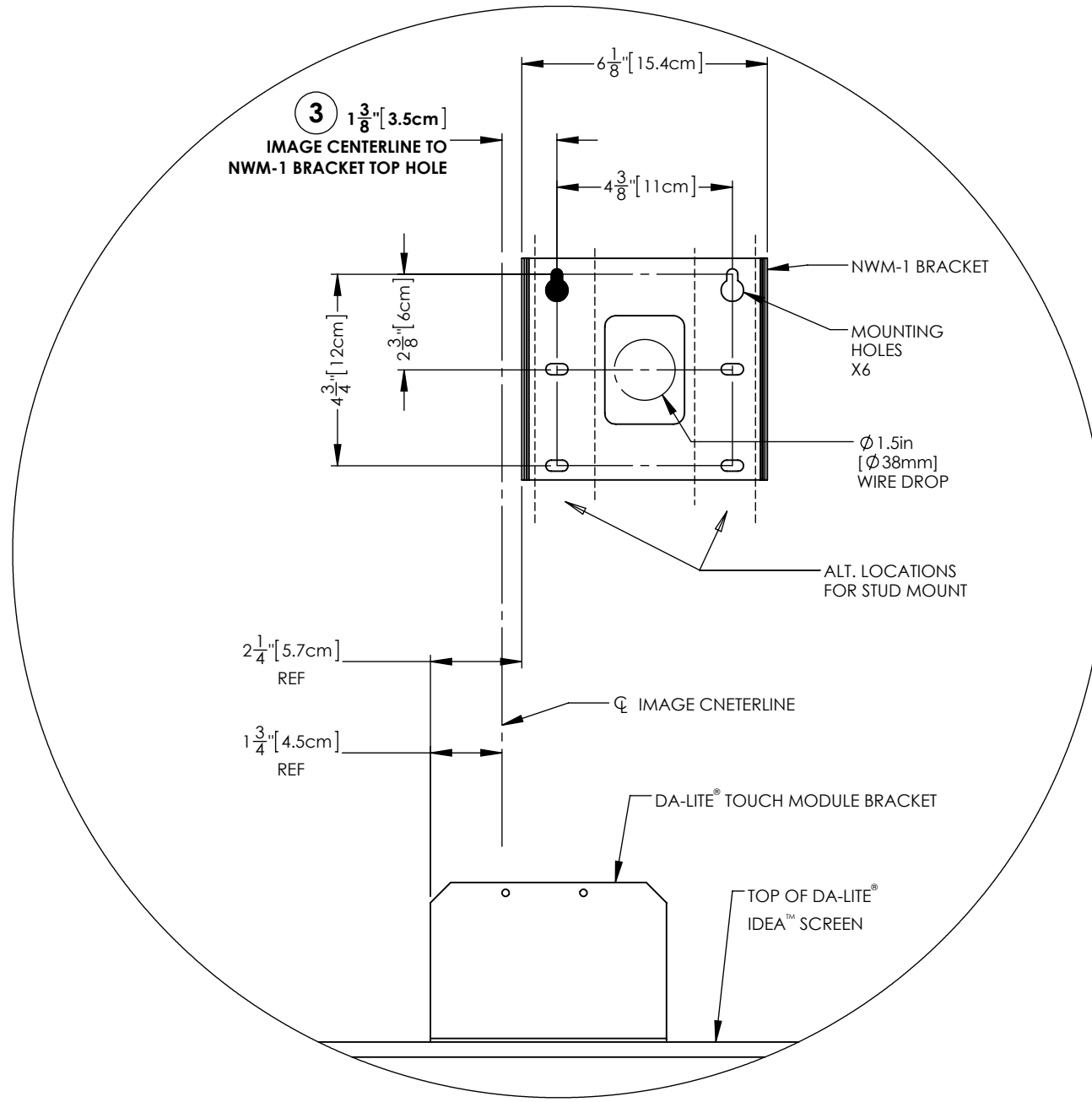
|                |   |
|----------------|---|
| DRAWING NUMBER | 101164  |
| DESCRIPTION    | DUAL SPAN™ SYSTEM INSTALL DIAGRAM WITH DALITE |
| REVISION       | 01  |
| DATE           | April 21, 2017                                |
| PAGE           | 1 OF 2  |

NOTES:

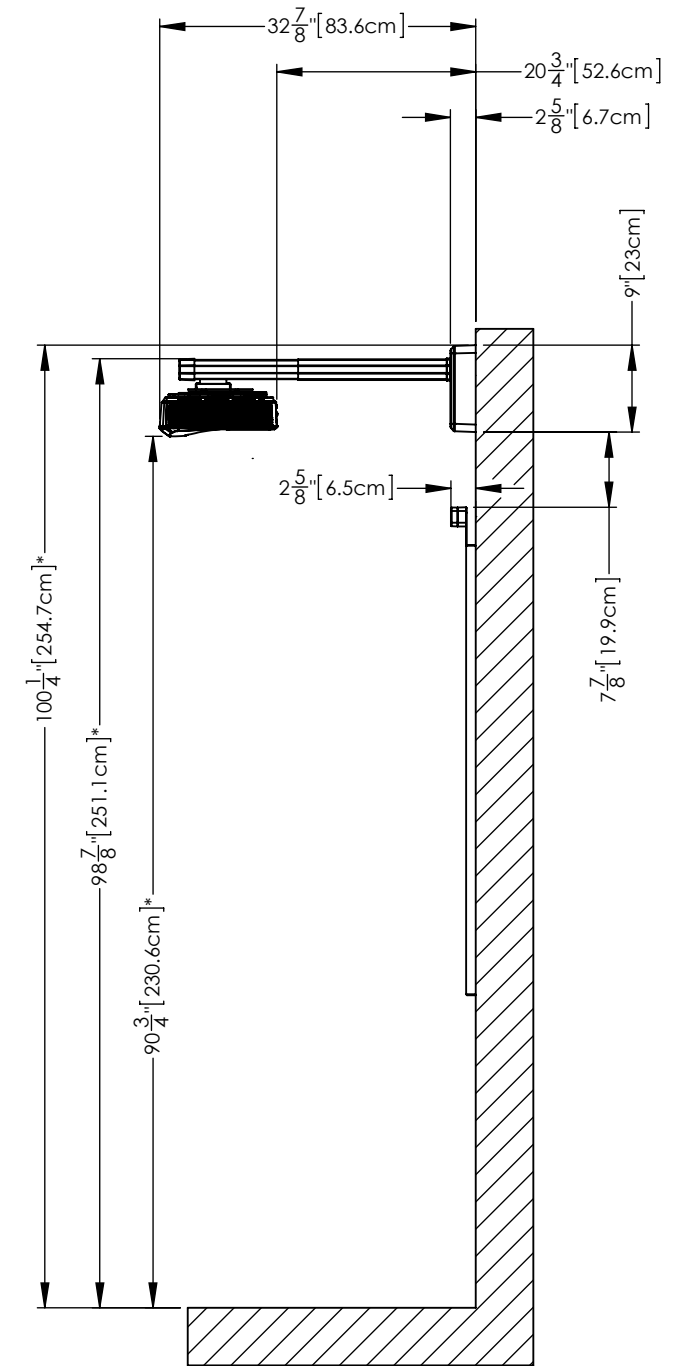
1. DIMENSIONS ① - ⑨ ARE CRITICAL TO THE PROPER INSTALLATION OF THE SPAN SYSTEM.
2. OPTICAL OFFSET TO IMAGE CENTERLINE AS GIVEN IN DIMENSION ③
3. NWM-1 BRACKET DIMENSIONS ARE TAKEN FROM THE TOP LEFT KEYHOLE AS GIVEN IN DIMENSION ② - ⑤



PROJECTOR DETAILS



DETAIL A  
TYPICAL WALL MOUNT BRACKET  
AND TOUCH MODULE BRACKET



SIDE VIEW  
\* NOMINAL DIMENSIONS WILL  
VARY WITH PROJECTED  
IMAGE TOLERANCE

|                |   |
|----------------|---|
| DRAWING NUMBER | 101164  |
| DESCRIPTION    | DUAL SPAN™ SYSTEM INSTALL DIAGRAM WITH DALITE |
| REVISION       | 01  |
| DATE           | April 21, 2017                                |
| PAGE           | 2 OF 2  |