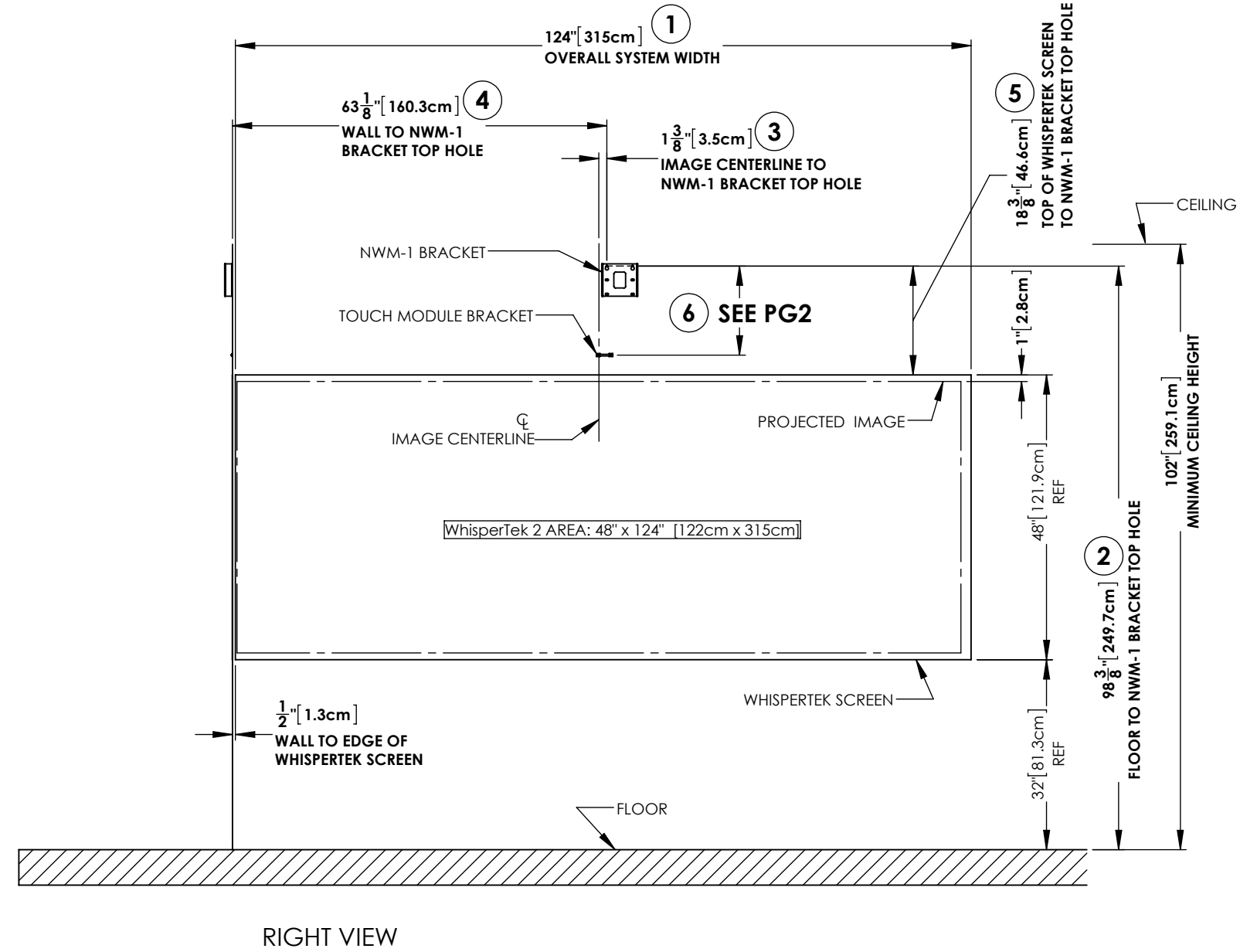
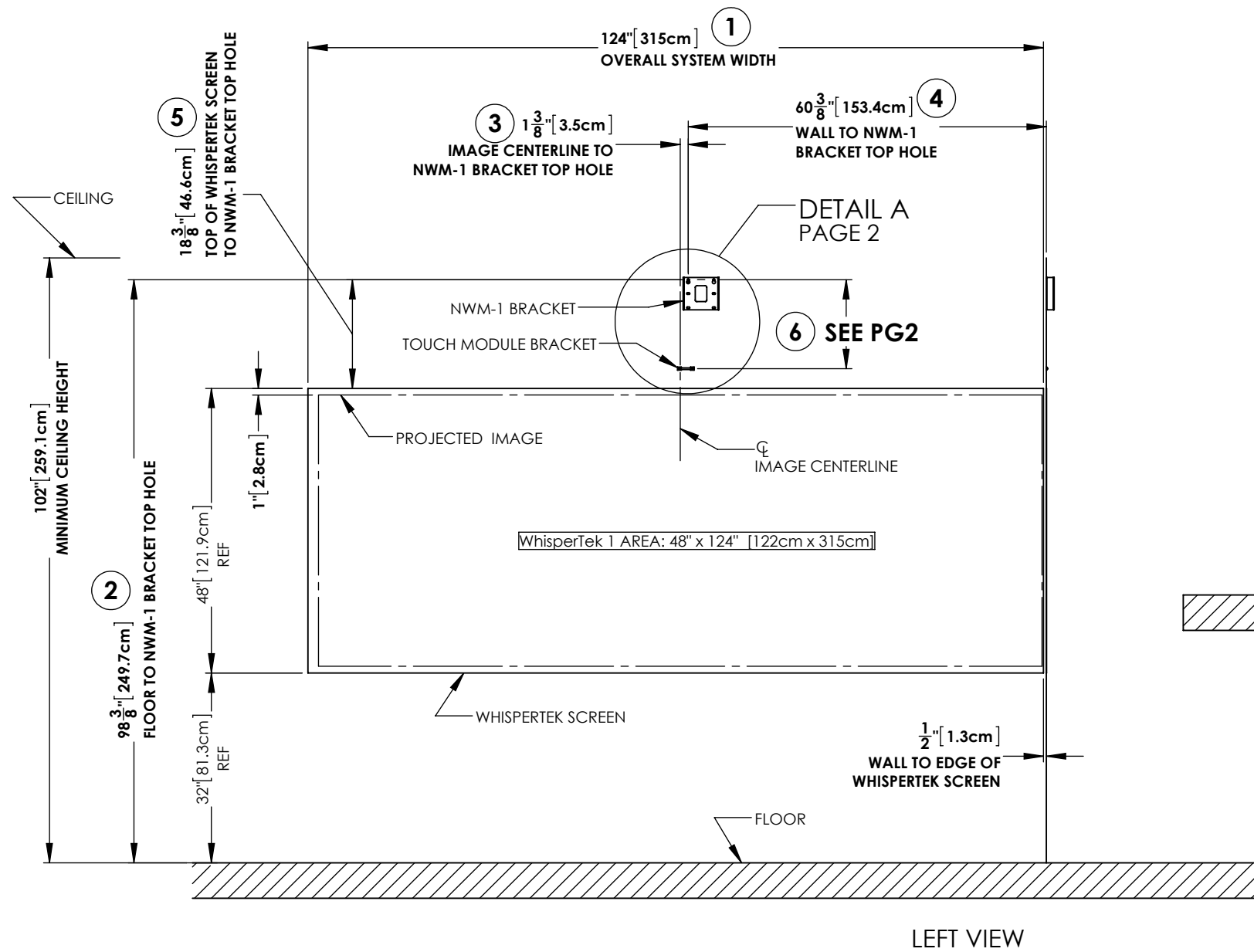


SPAN SYSTEM
EDGE INSTALLATION

NOTES:

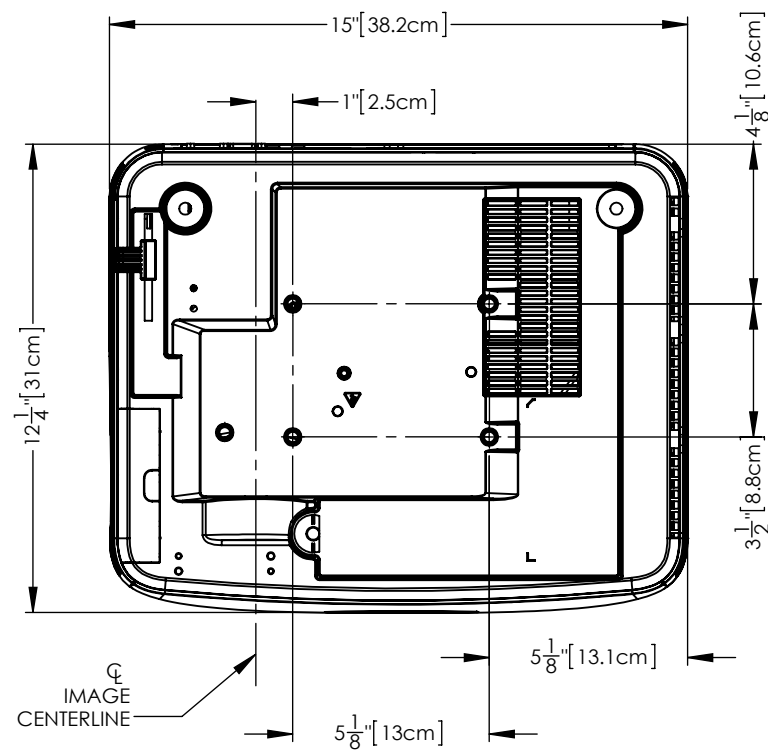
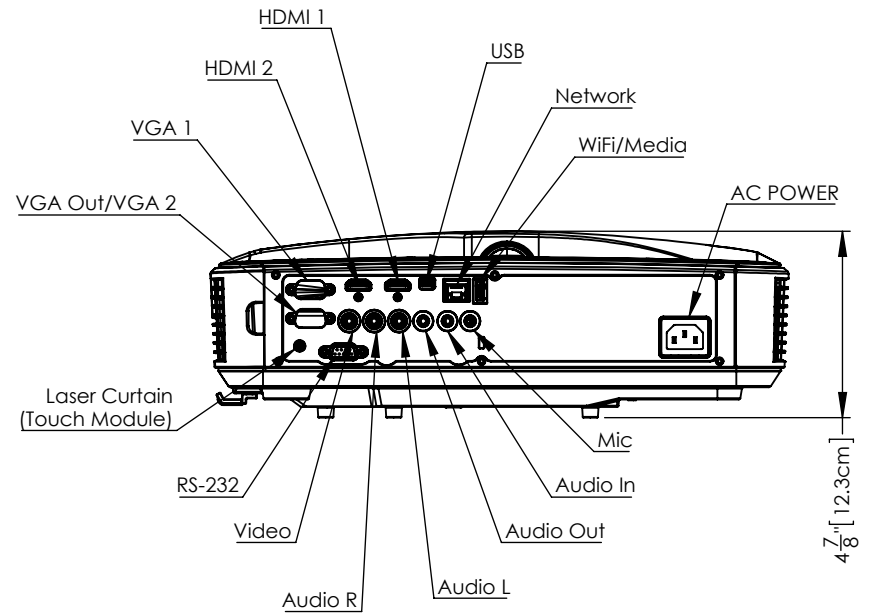
1. DIMENSIONS ① - ⑥ ARE CRITICAL TO THE PROPER INSTALLATION OF THE SPAN SYSTEM.
2. OPTICAL OFFSET TO IMAGE CENTERLINE AS GIVEN IN DIMENSION ③
3. NWM-1 BRACKET DIMENSIONS ARE TAKEN FROM THE TOP LEFT KEYHOLE AS GIVEN IN DIMENSION ② - ⑥



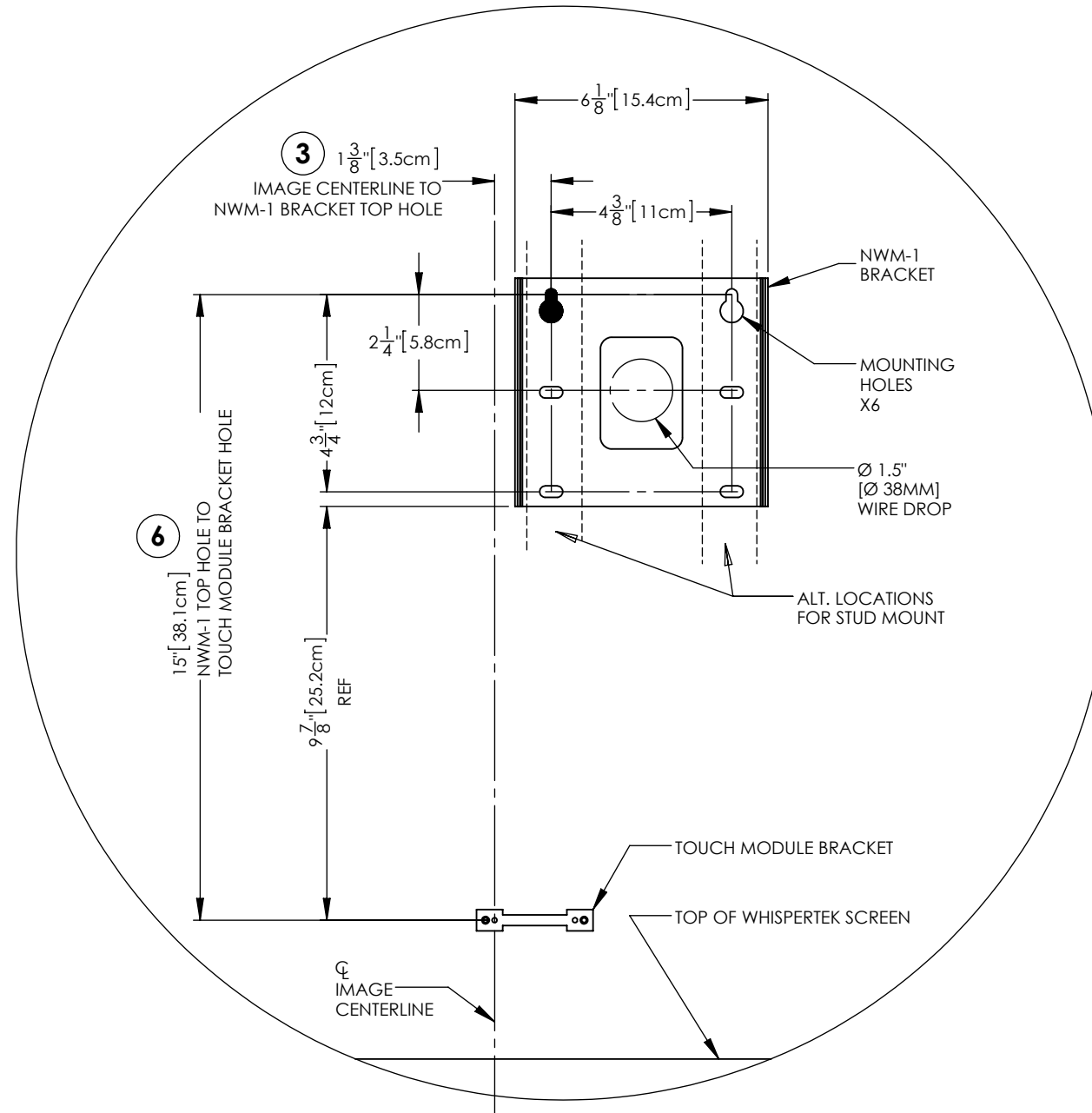
| | |
|----------------|--|
| DRAWING NUMBER | 101113 |
| DESCRIPTION | SPAN™ SYSTEM EDGE INSTALLATION DIAGRAM |
| REVISION | 03 |
| DATE | April 25, 2017 |
| PAGE | 1 OF 2 |

NOTES:

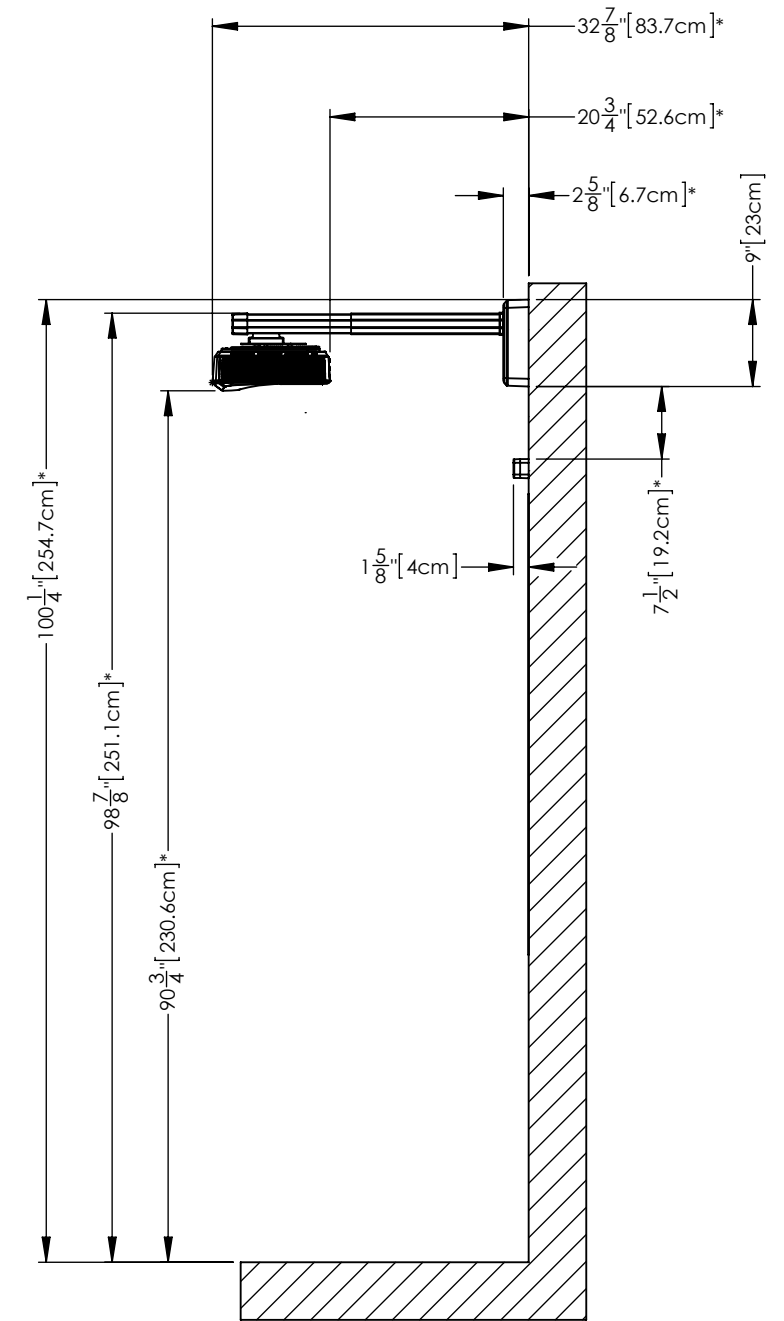
1. DIMENSIONS ① - ⑥ ARE CRITICAL TO THE PROPER INSTALLATION OF THE SPAN SYSTEM.
2. OPTICAL OFFSET TO IMAGE CENTERLINE AS GIVEN IN DIMENSION ③
3. NWM-1 BRACKET DIMENSIONS ARE TAKEN FROM THE TOP LEFT KEYHOLE AS GIVEN IN DIMENSION ② - ⑥



PROJECTOR DETAILS



DETAIL A
TYPICAL WALL MOUNT BRACKET
AND TOUCH MODULE BRACKET



SIDE VIEW
* NOMINAL DIMENSIONS WILL VARY WITH PROJECTED IMAGE TOLERANCE

| | |
|----------------|--|
| DRAWING NUMBER | 101113 |
| DESCRIPTION | SPAN™ SYSTEM EDGE INSTALLATION DIAGRAM |
| REVISION | 03 |
| DATE | April 25, 2017 |
| PAGE | 2 OF 2 |