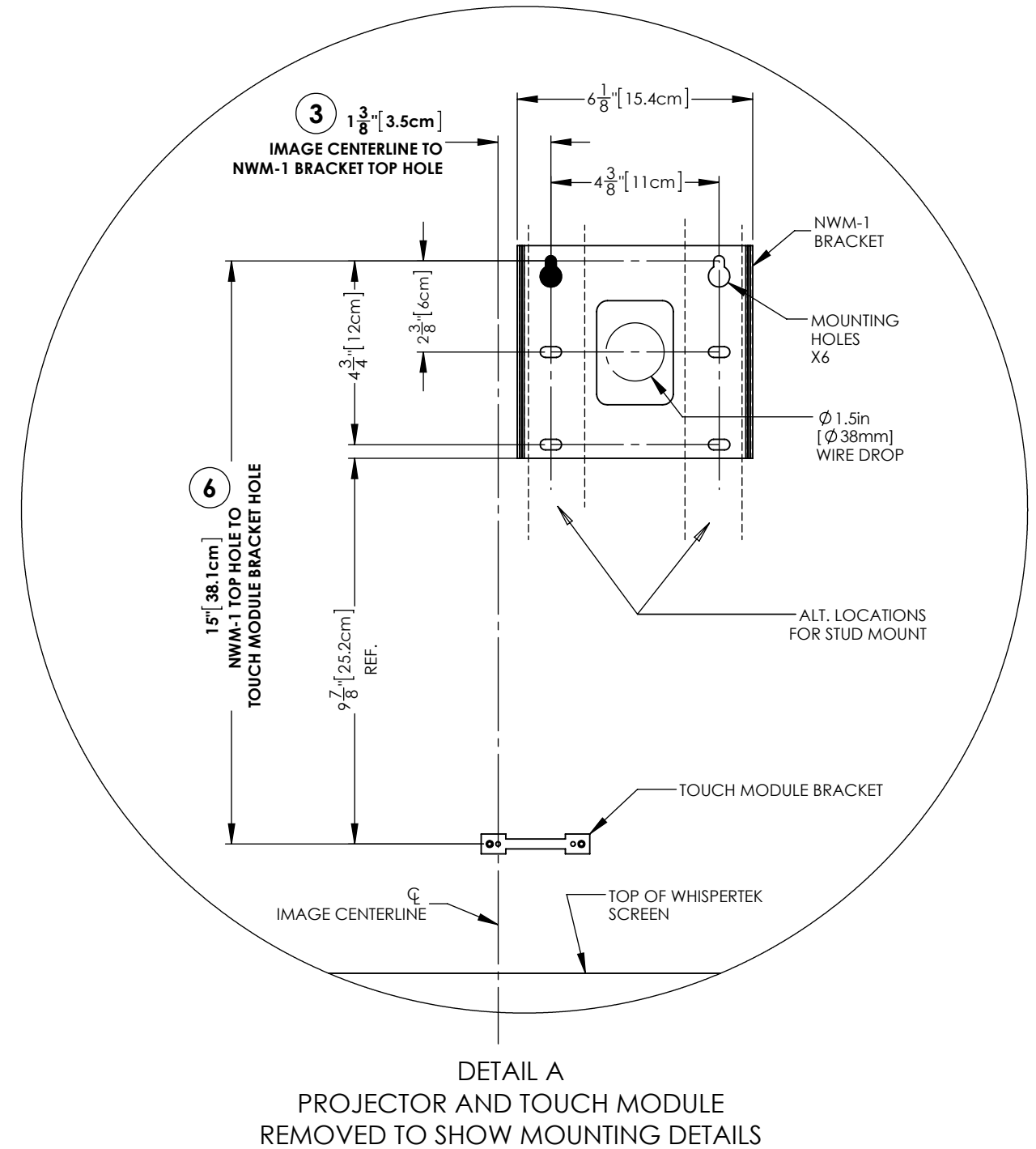
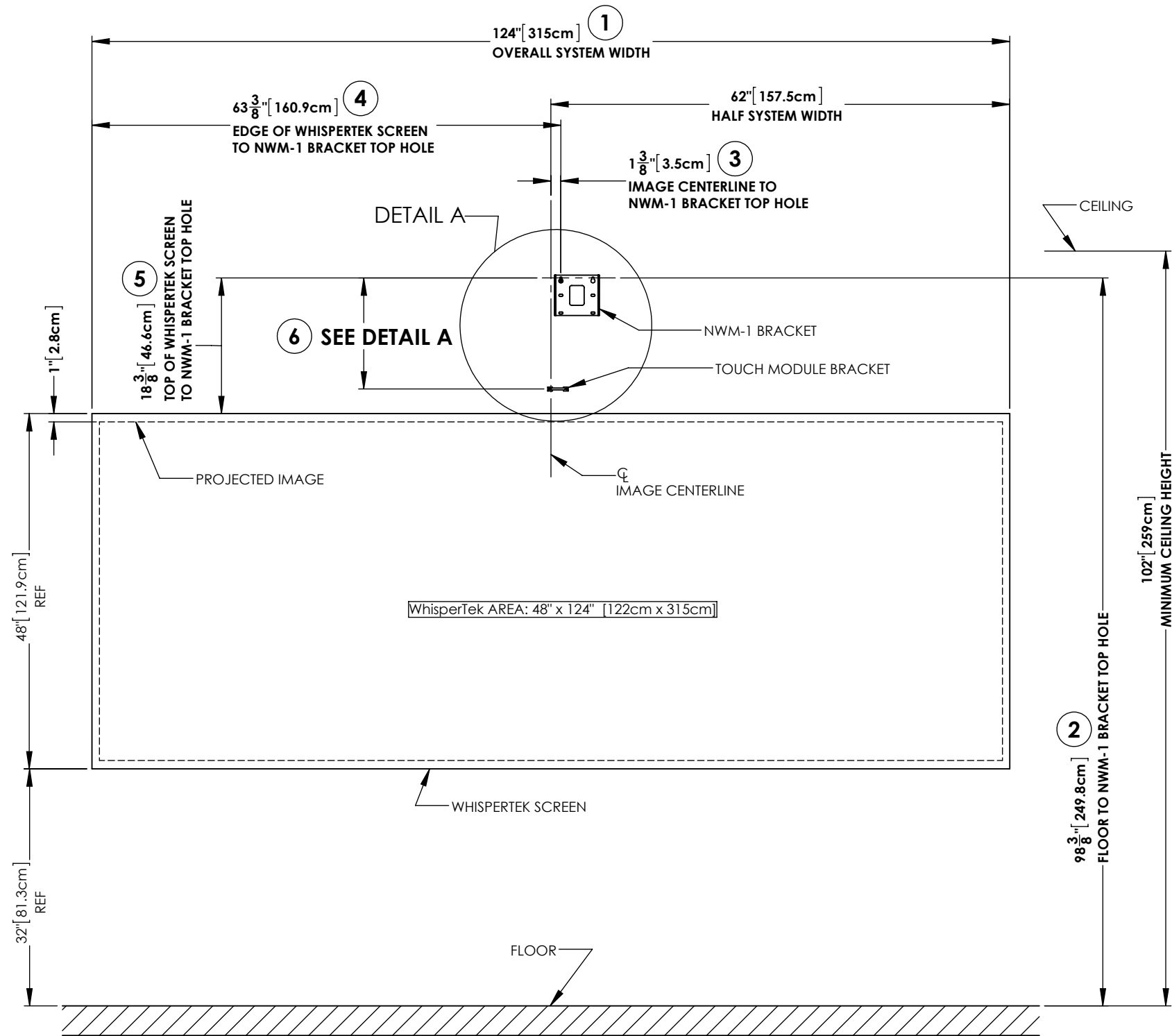


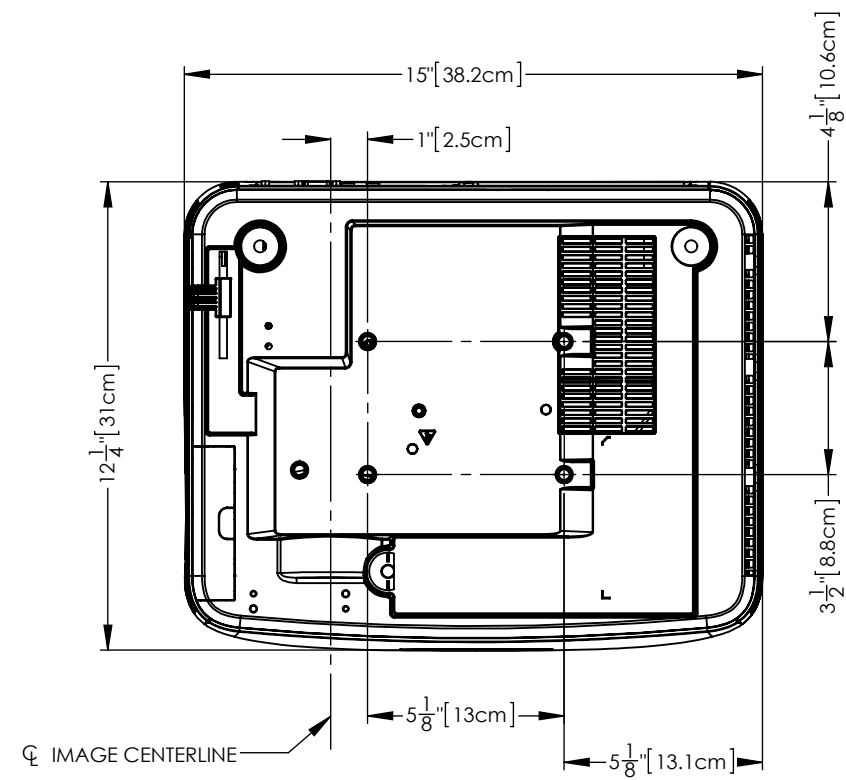
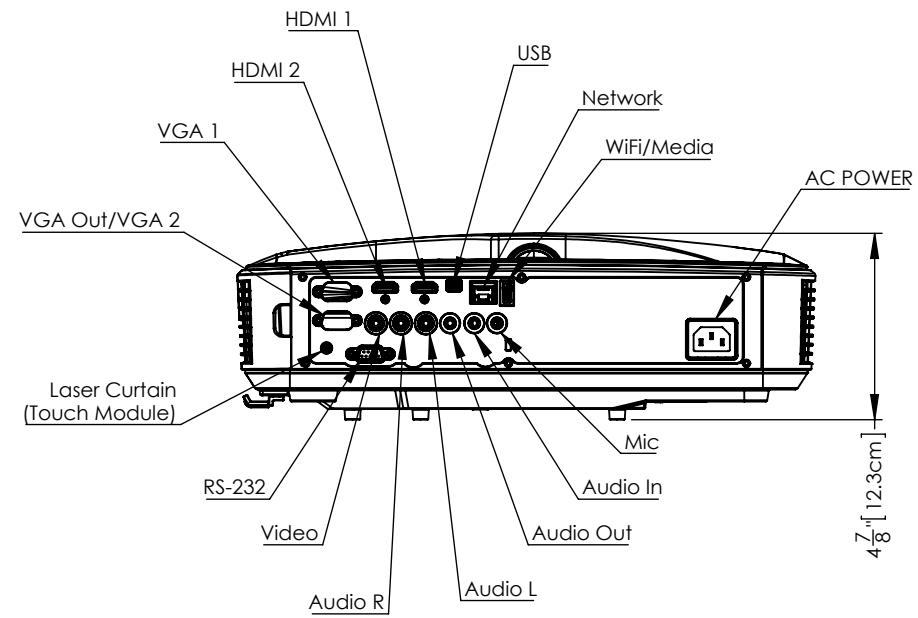
- NOTES:
1. DIMENSIONS ① - ⑥ ARE CRITICAL TO THE PROPER INSTALLATION OF THE SPAN SYSTEM.
 2. OPTICAL OFFSET TO IMAGE CENTERLINE AS GIVEN IN DIMENSION ③
 3. NWM-1 BRACKET DIMENSIONS ARE TAKEN FROM THE TOP LEFT KEYHOLE AS GIVEN IN DIMENSION ② - ⑥



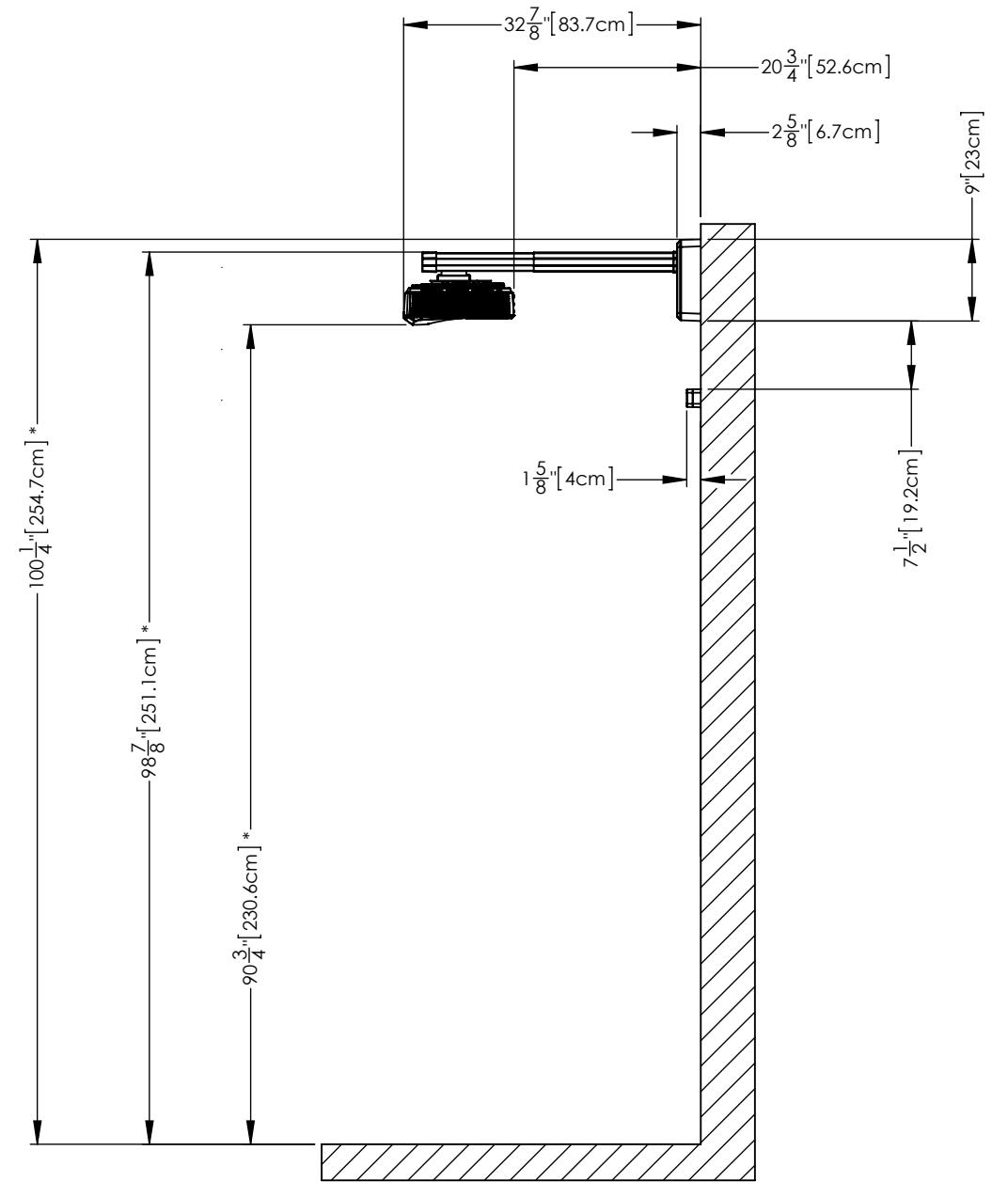
DRAWING NUMBER	100099
DESCRIPTION	SINGLE SPAN™ SYSTEM INSTALLATION DIAGRAM
REVISION	08
DATE	April 21, 2017
PAGE	1 OF 2

NOTES:

1. DIMENSIONS ① - ⑥ ARE CRITICAL TO THE PROPER INSTALLATION OF THE SPAN SYSTEM.
2. OPTICAL OFFSET TO IMAGE CENTERLINE AS GIVEN IN DIMENSION ③
3. NWM-1 BRACKET DIMENSIONS ARE TAKEN FROM THE TOP LEFT KEYHOLE AS GIVEN IN DIMENSION ② - ⑥



PROJECTOR DETAILS



SIDE VIEW
* NOMINAL DIMENSIONS WILL VARY WITH PROJECTED IMAGE TOLERANCE

DRAWING NUMBER	100099
DESCRIPTION	SINGLE SPAN™ SYSTEM INSTALLATION DIAGRAM
REVISION	08
DATE	April 21, 2017
PAGE	2 OF 2