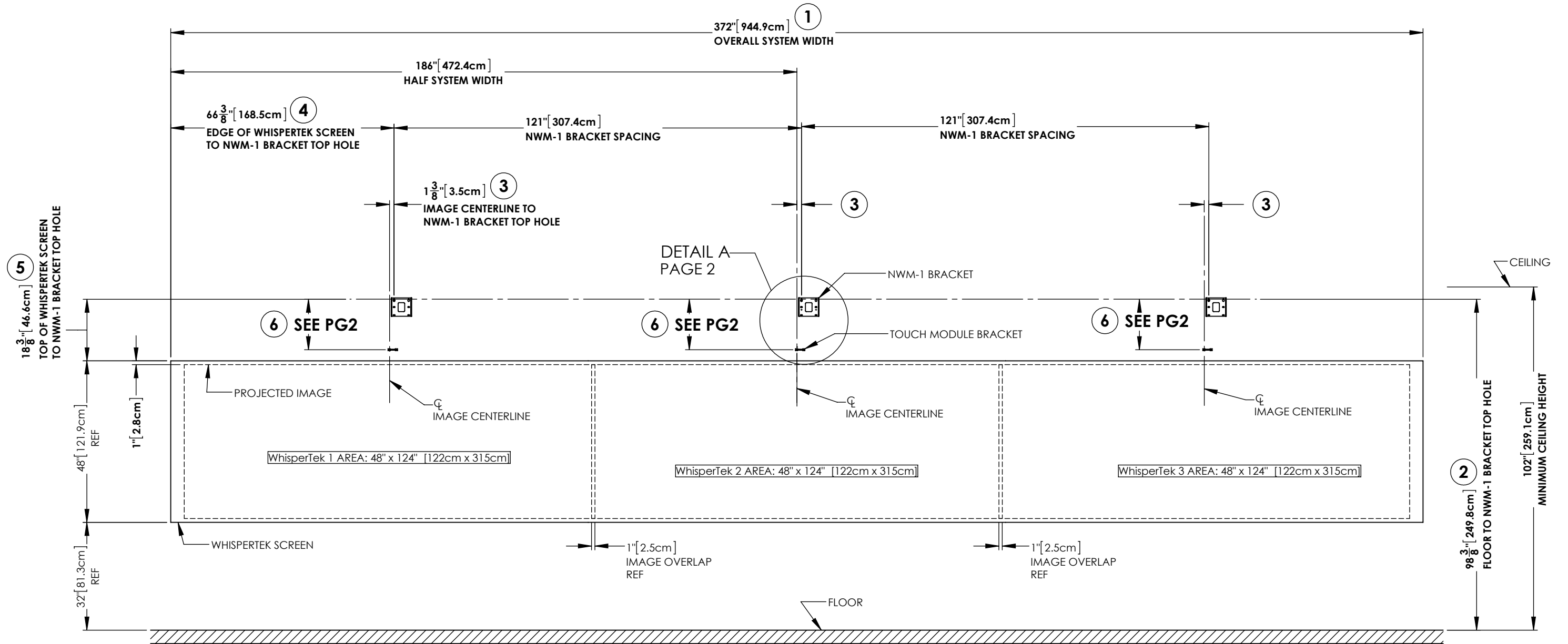


NOTES:

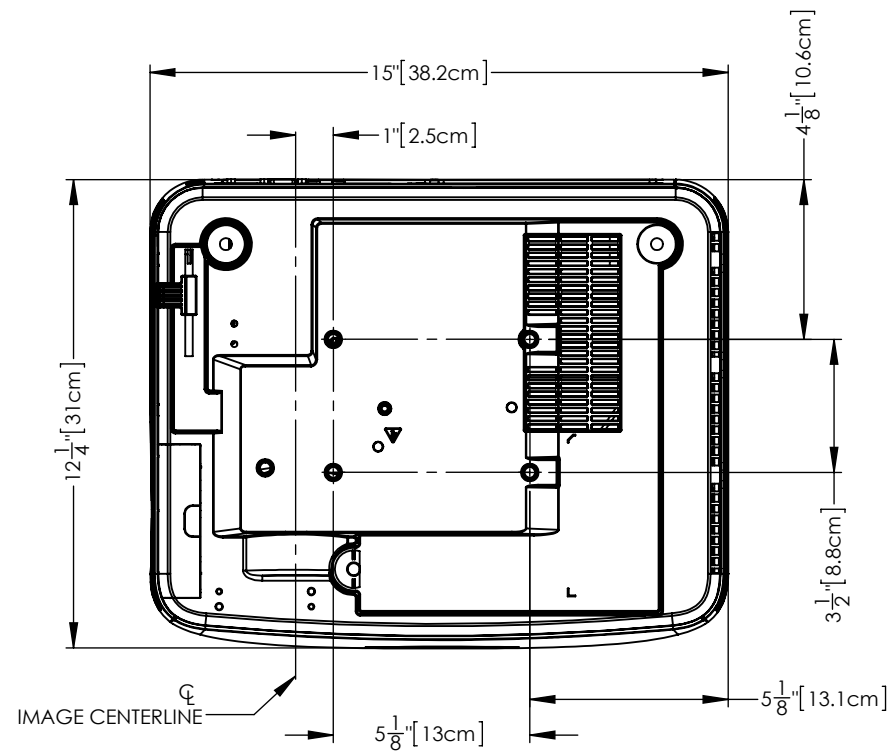
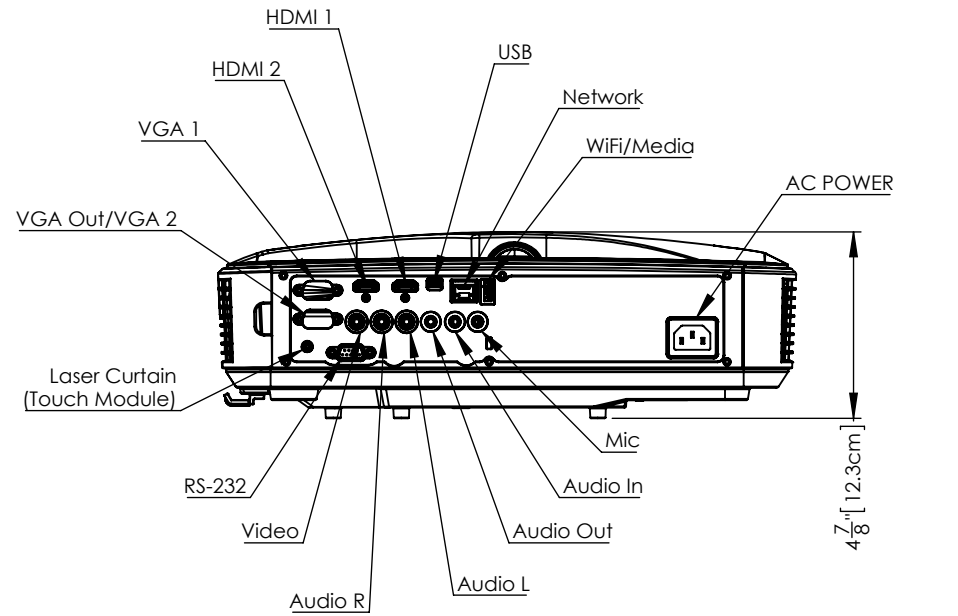
1. DIMENSIONS ① - ⑥ ARE CRITICAL TO THE PROPER INSTALLATION OF THE SPAN SYSTEM.
2. OPTICAL OFFSET TO IMAGE CENTERLINE AS GIVEN IN DIMENSION ③
3. NWM-1 BRACKET DIMENSIONS ARE TAKEN FROM THE TOP LEFT KEYHOLE AS GIVEN IN DIMENSION ② - ⑥



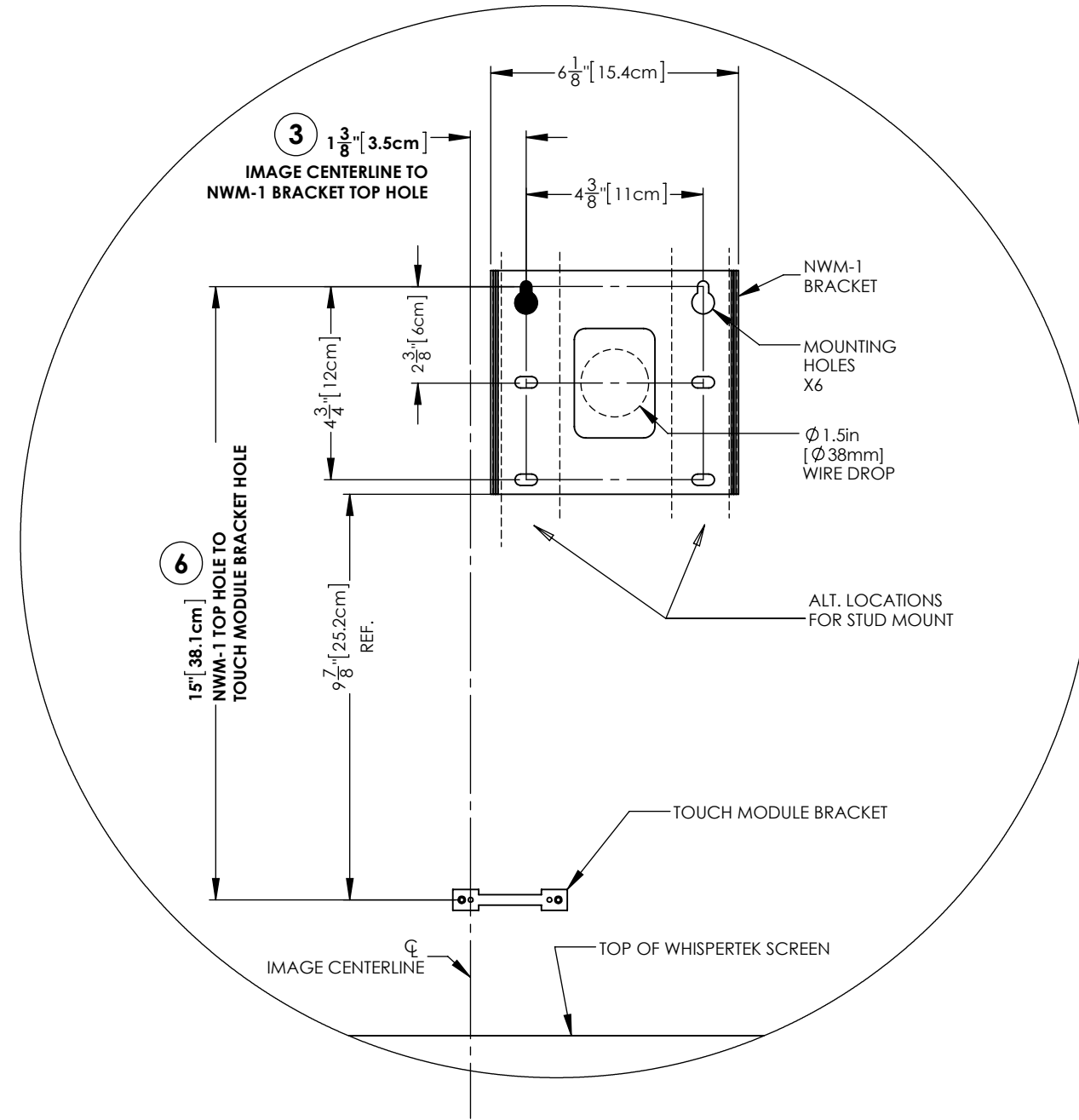
DRAWING NUMBER	101111
DESCRIPTION	TRIPLE SPAN™ SYSTEM INSTALL DIAGRAM WITH WHISPERTEK
REVISION	03
DATE	April 21, 2017
PAGE	1 OF 2

NOTES:

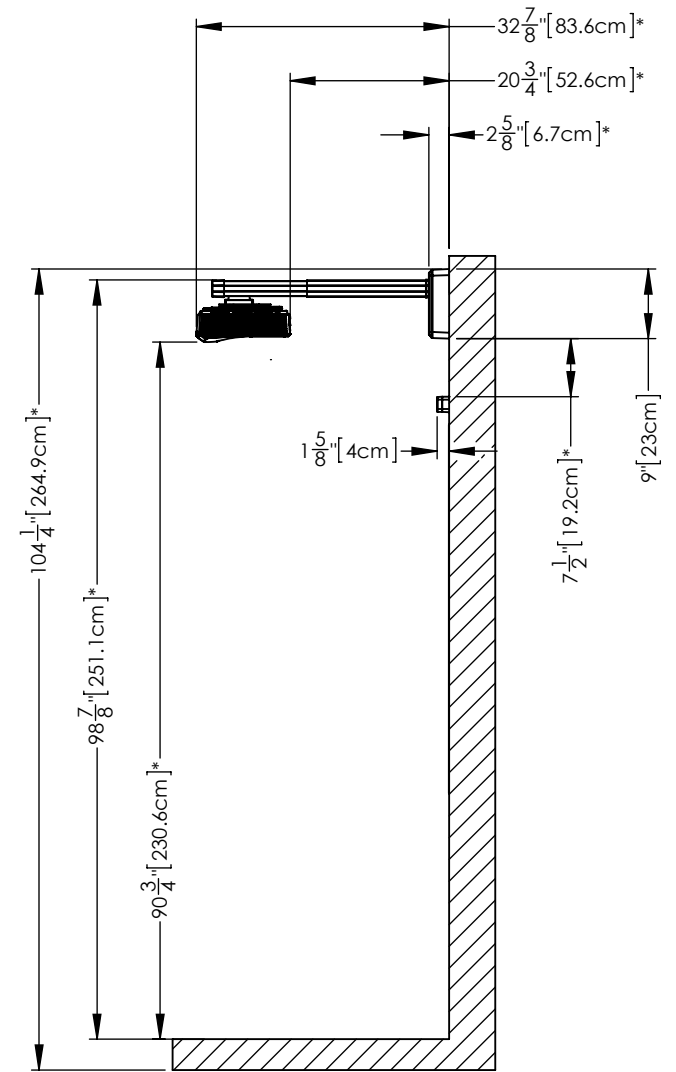
1. DIMENSIONS ① - ⑥ ARE CRITICAL TO THE PROPER INSTALLATION OF THE SPAN SYSTEM.
2. OPTICAL OFFSET TO IMAGE CENTERLINE AS GIVEN IN DIMENSION ③
3. NWM-1 BRACKET DIMENSIONS ARE TAKEN FROM THE TOP LEFT KEYHOLE AS GIVEN IN DIMENSION ② - ⑥



PROJECTOR DETAILS



DETAIL A  
TYPICAL WALL MOUNT BRACKET  
AND TOUCH MODULE BRACKET



SIDE VIEW  
\* NOMINAL DIMENSIONS  
WILL VARY WITH PROJECTED  
IMAGE TOLERANCE

DRAWING NUMBER	101111
DESCRIPTION	TRIPLE SPAN™ SYSTEM INSTALL DIAGRAM WITH WHISPERTEK
REVISION	03
DATE	April 21, 2017
PAGE	2 OF 2