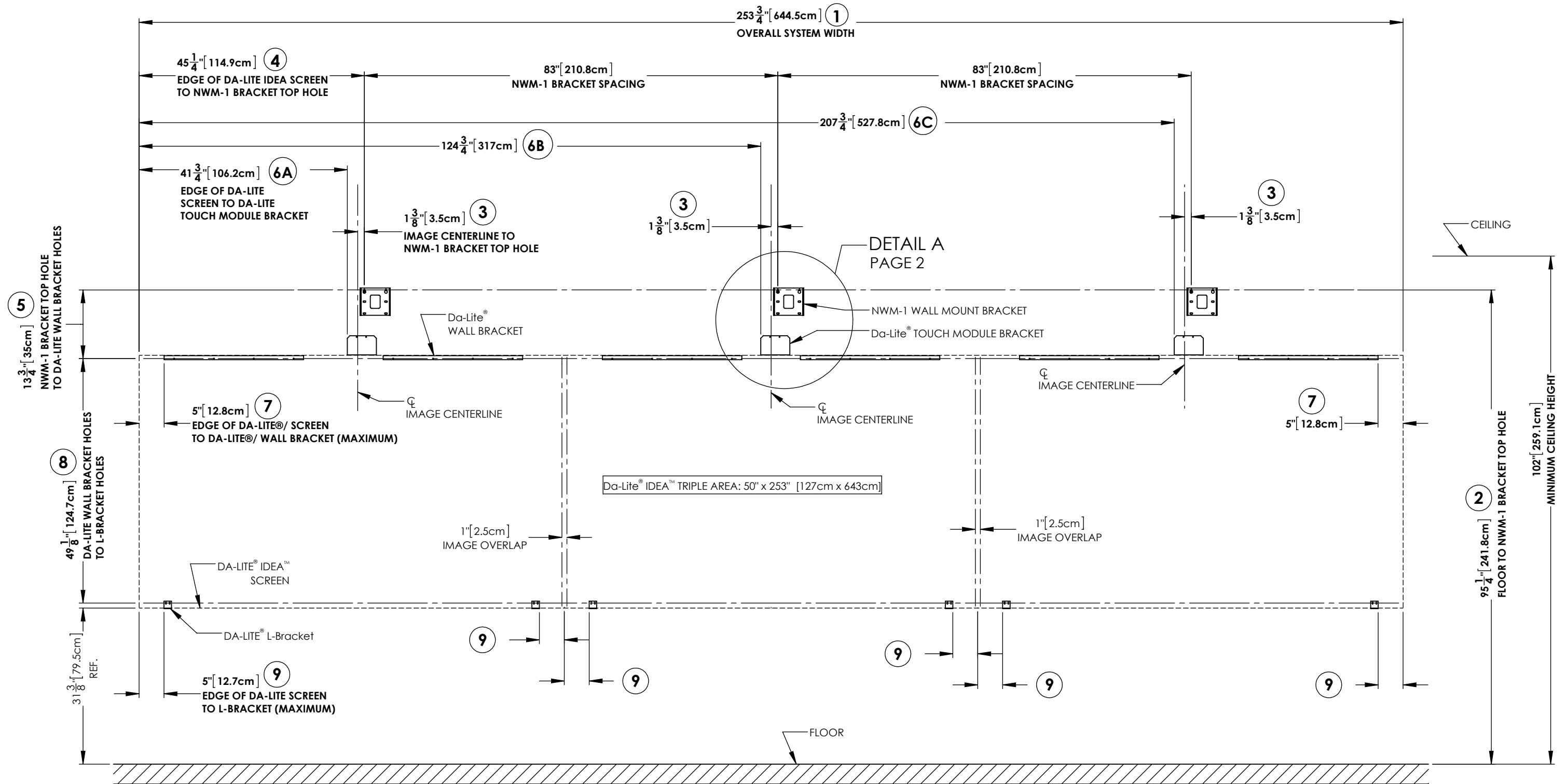


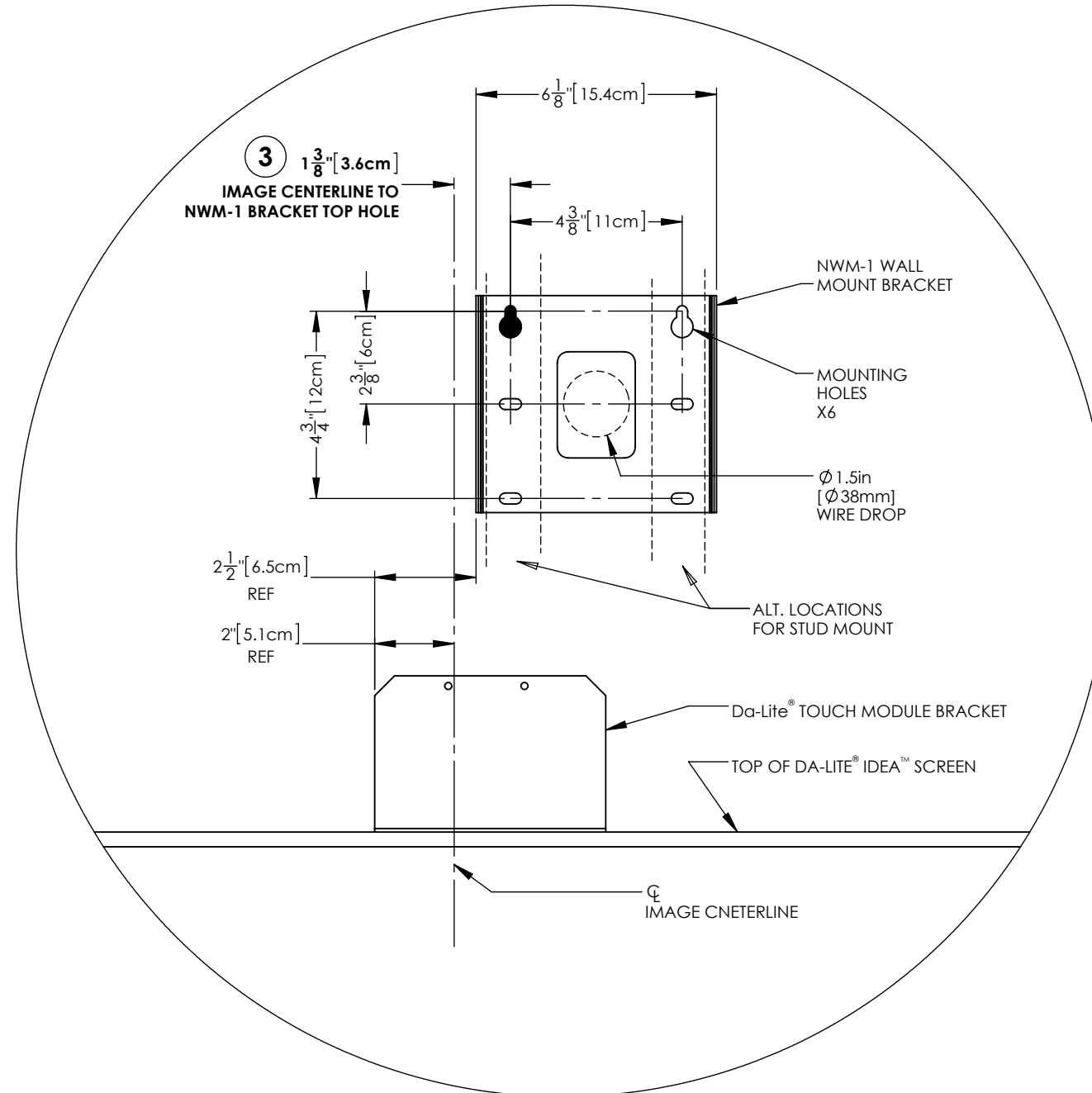
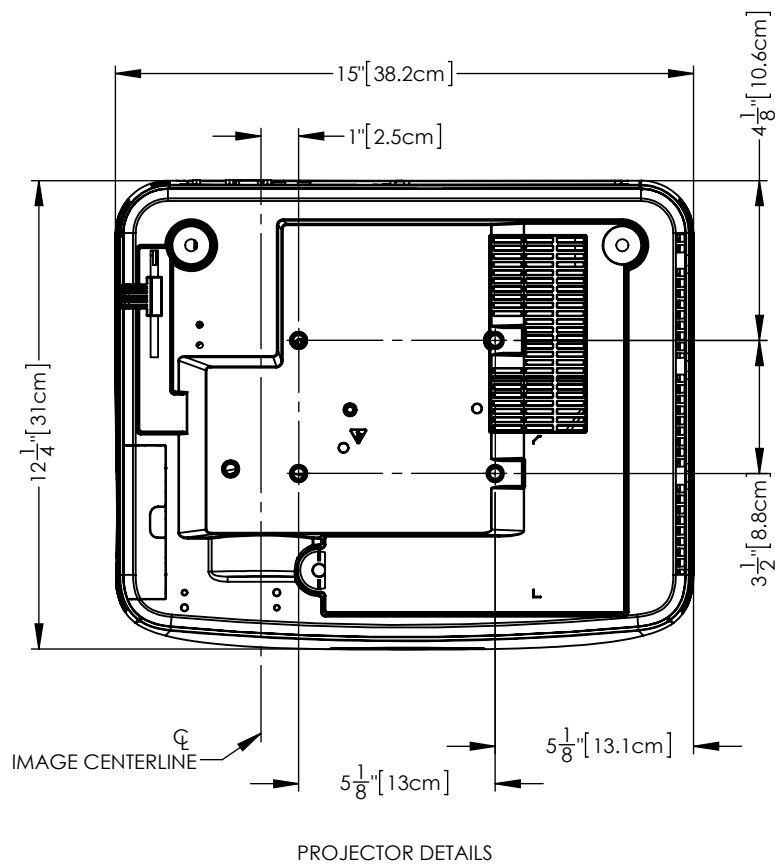
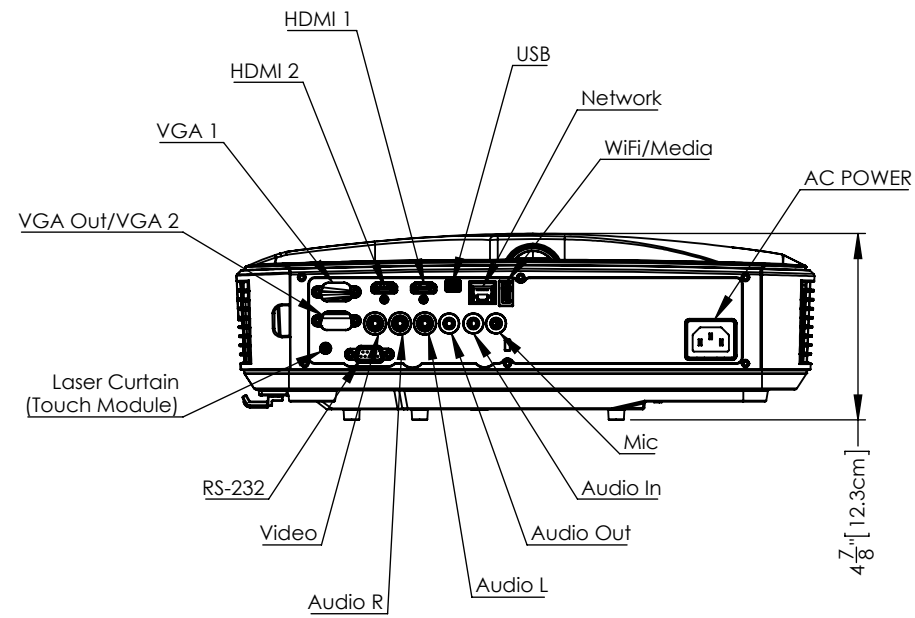
NOTES:

1. DIMENSIONS ① - ⑨ ARE CRITICAL TO THE PROPER INSTALLATION OF THE SPAN SYSTEM.
2. OPTICAL OFFSET TO IMAGE CENTERLINE AS GIVEN IN DIMENSION ③
3. NWM-1 BRACKET DIMENSIONS ARE TAKEN FROM THE TOP LEFT KEYHOLE AS GIVEN IN DIMENSION ② - ⑤

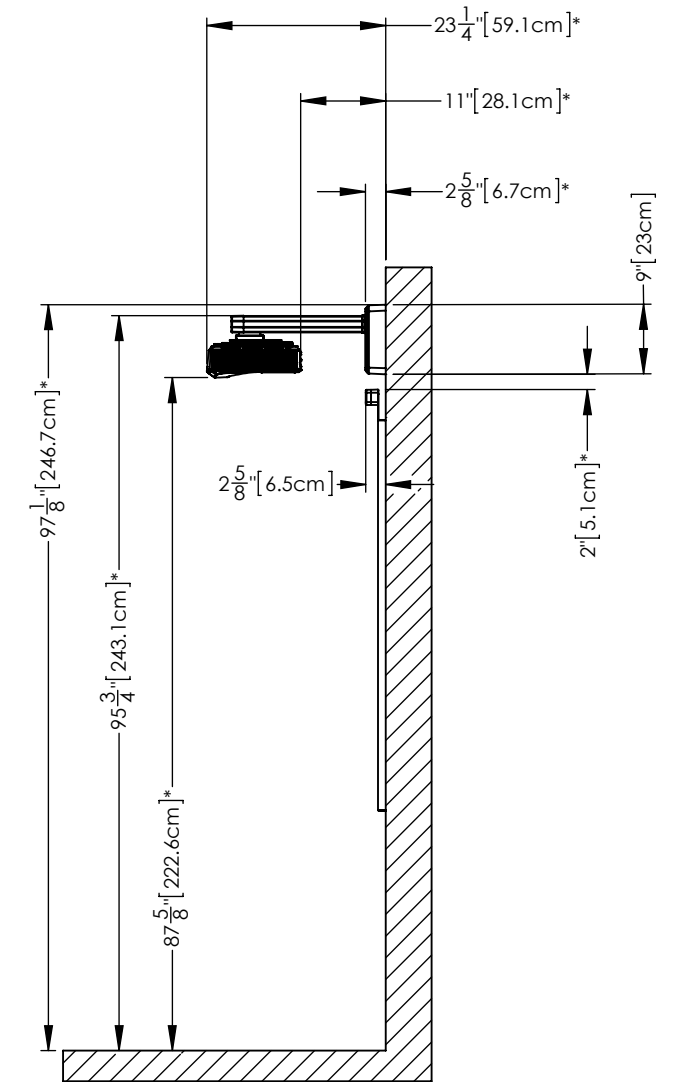


DRAWING NUMBER	101171
DESCRIPTION	TRIPLE SPAN™ SYSTEM HD INSTALL DIAGRAM WITH DALITE
REVISION	01
DATE	April 13, 2017
PAGE	1 OF 2

- NOTES:
1. DIMENSIONS ① - ⑨ ARE CRITICAL TO THE PROPER INSTALLATION OF THE SPAN SYSTEM.
 2. OPTICAL OFFSET TO IMAGE CENTERLINE AS GIVEN IN DIMENSION ③
 3. NWM-1 BRACKET DIMENSIONS ARE TAKEN FROM THE TOP LEFT KEYHOLE AS GIVEN IN DIMENSION ② - ⑤



DETAIL A
PROJECTOR REMOVED
TO SHOW MOUNTING DETAILS



SIDE VIEW
* NOMINAL DIMENSIONS WILL VARY WITH PROJECTED IMAGE TOLERANCE

DRAWING NUMBER	101171
DESCRIPTION	TRIPLE SPAN™ SYSTEM HD INSTALL DIAGRAM WITH DALITE
REVISION	01
DATE	April 13, 2017
PAGE	2 OF 2