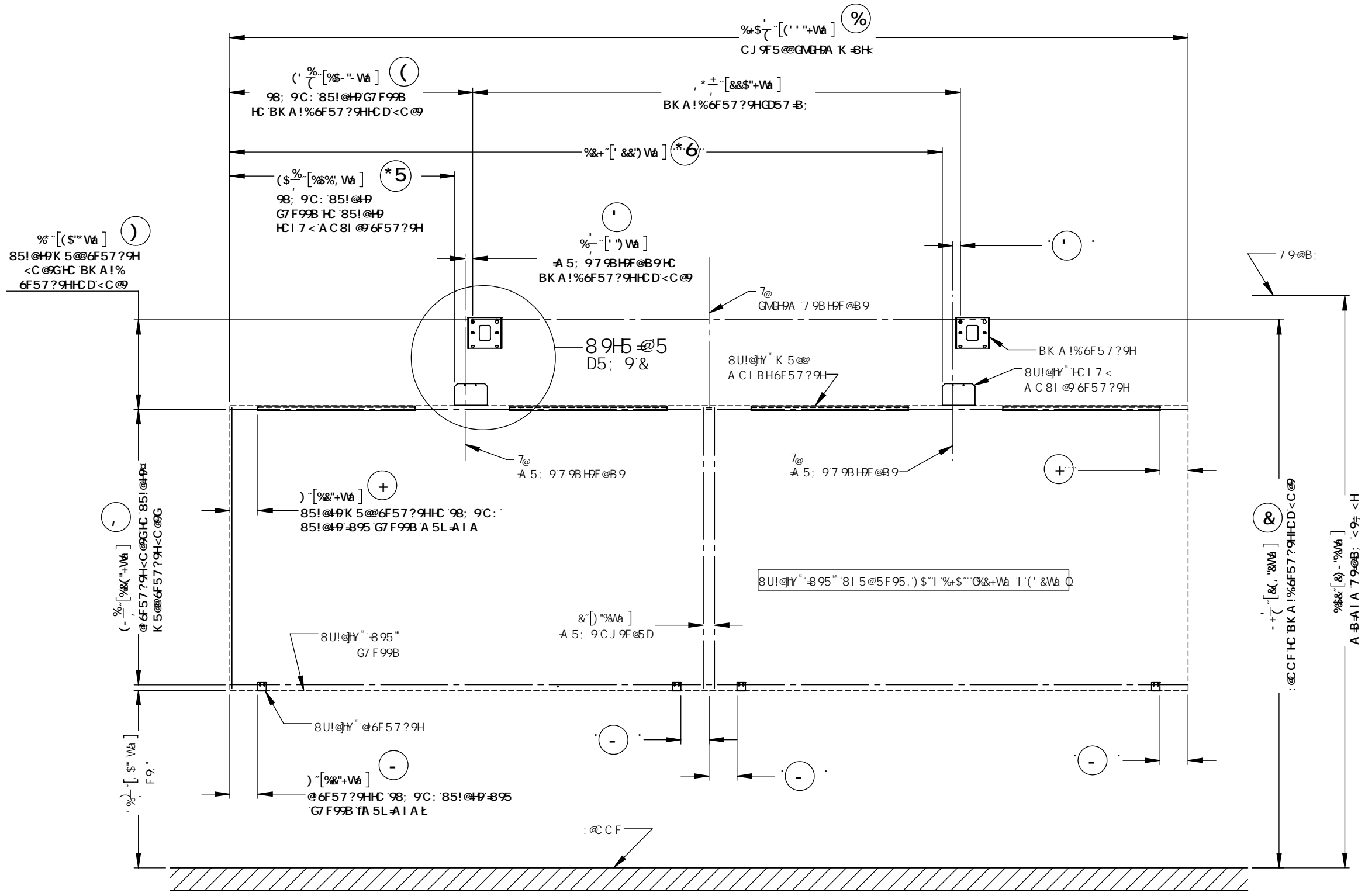
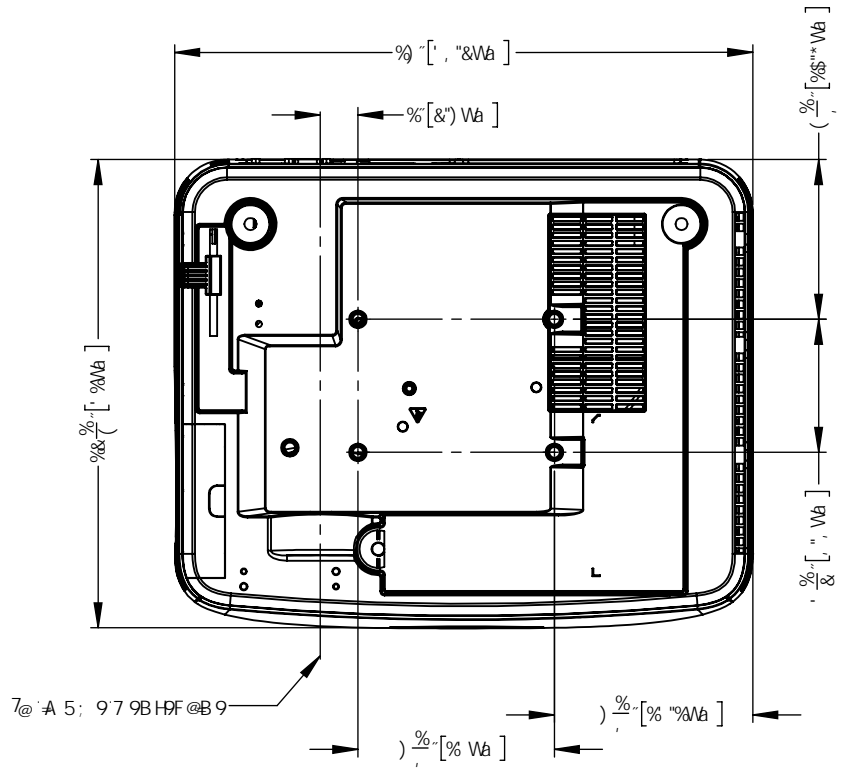
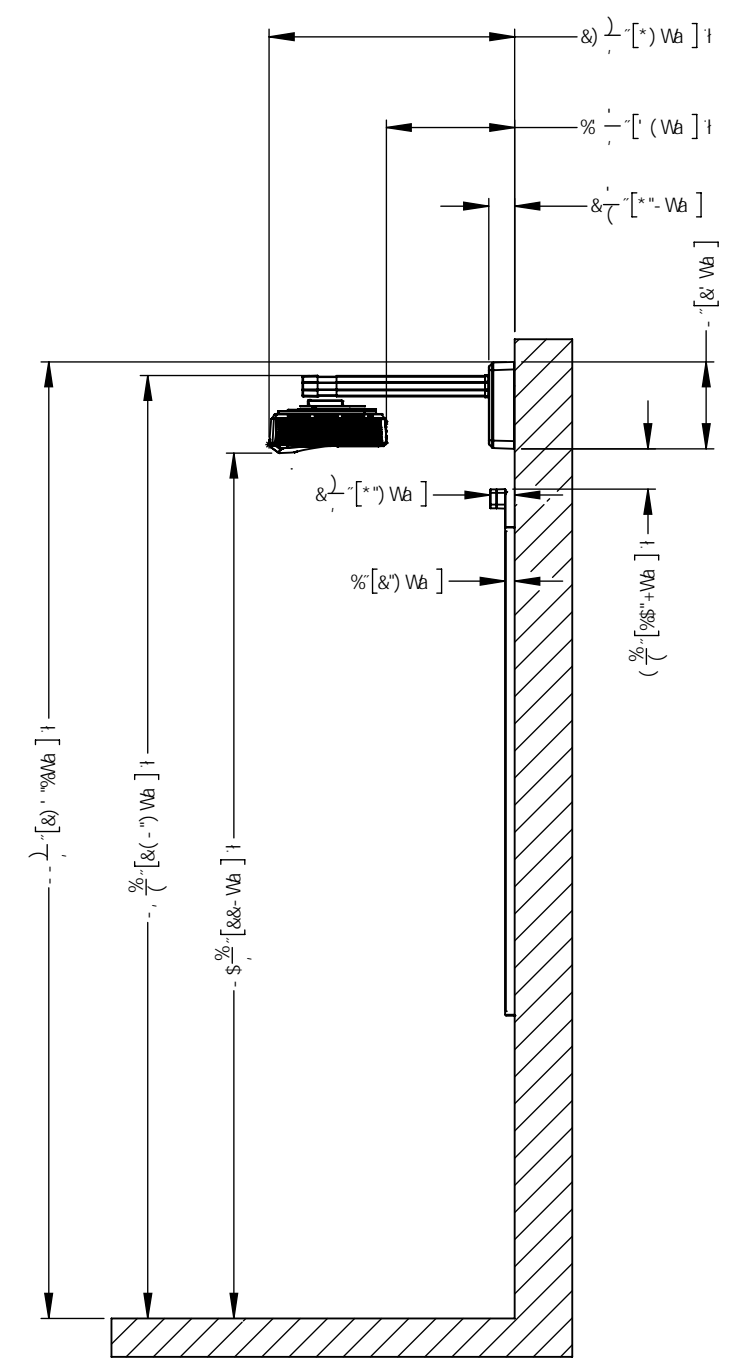
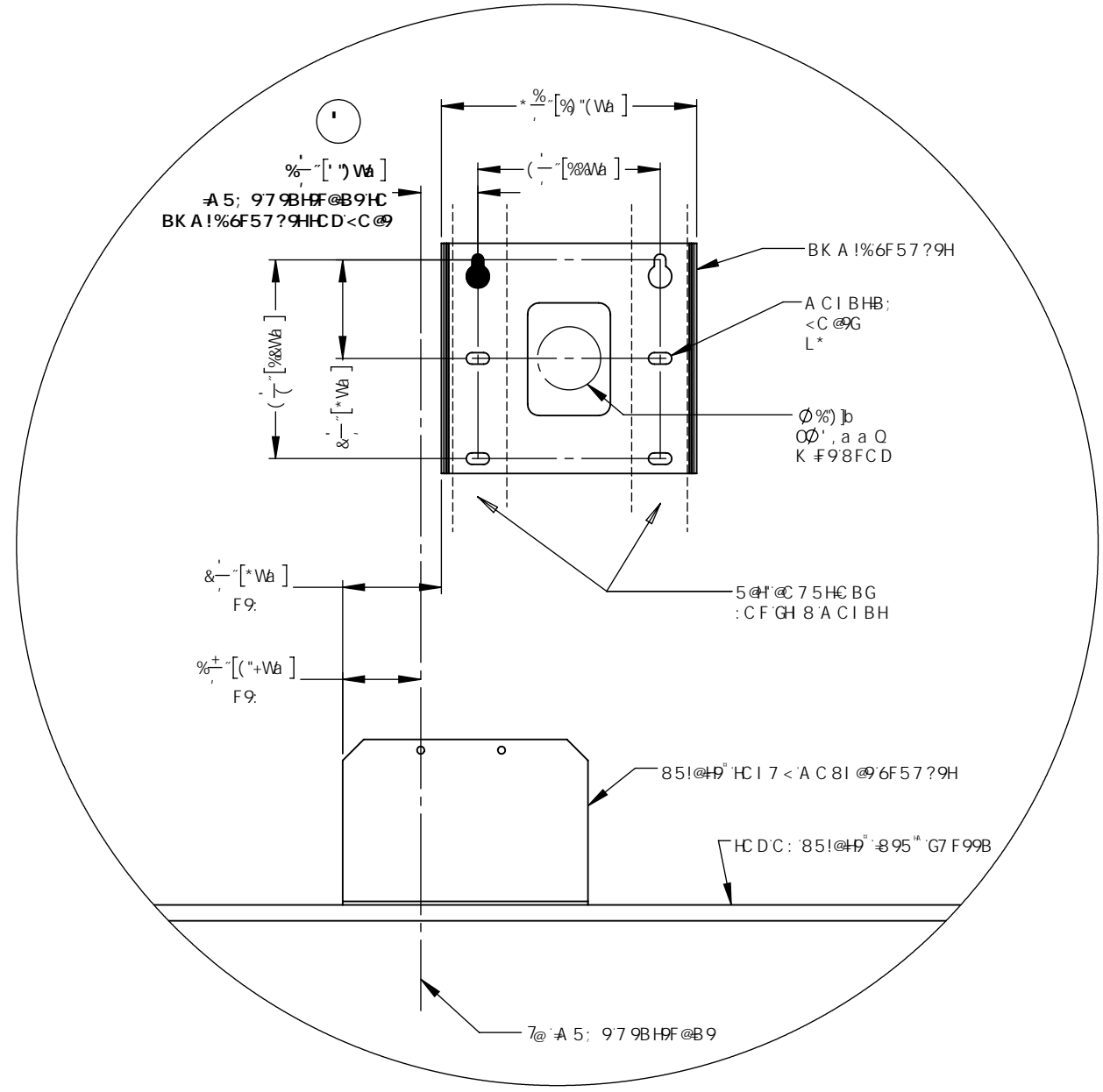
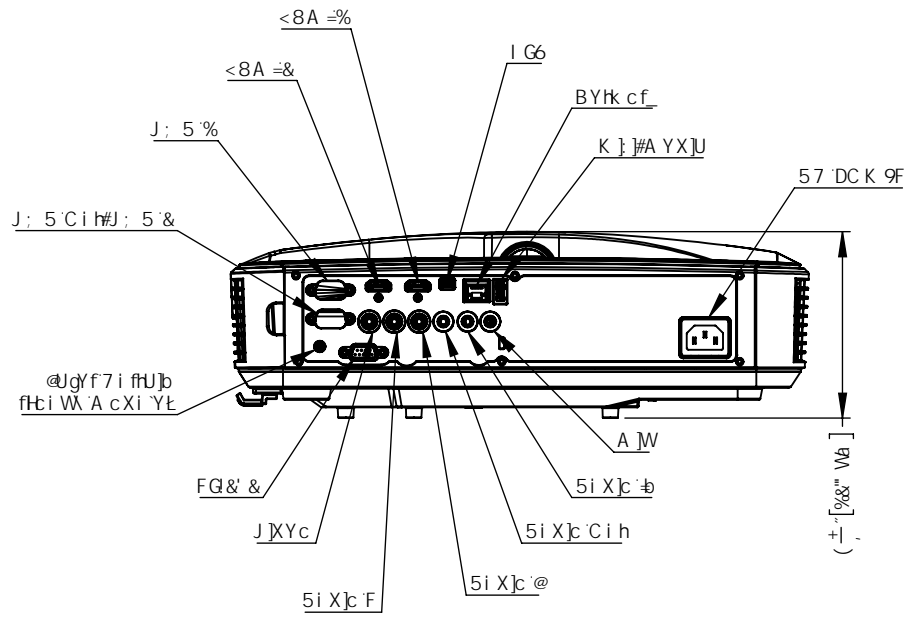


BC HPG  
 % 8-A 9B GC BG ( ) ! ( ) 5F97F #H7 5@HC 'K:9DFC D9F 'B GH5 @5 HC B.C : 'K:9GD5B 'GMHFA "  
 & CDH7 5@C::G9HC 'A 5; 97 9BH9F@B95G; 'J 9B 'B 8-A 9B GC B ( )  
 " BK A !%6F57?9H8-A 9B GC BG5F9H5?9B : FCA 'K:9HC D@: H?9MFC @95G; 'J 9B 'B 8-A 9B GC B ( ) ! ( )



8F5K B; BIA 69F	%\$%+\$
89G7F-DHC B	81 5@GD5B <sup>HA</sup> 'GMHFA '<8 'B GH5 @B5; F5A 'K #k '85@#P
F9J -GC B	\$&
85H9	&\$%#/#&#,\$
D5; 9	%C : &

BC HPG  
 % 8-A 9BG€BG (%) ! ( ) 5F97F#75@HC 'K9DFCD9F 'BG5@5HC B'C: 'K9GD5B'GMGHA "  
 & CDH75@C::G9HC 'A 5; 979BH9F@B95G; 9B 'B 8A 9BG€B ( )  
 ' BK A !%6F57?9H8-A 9BG€BG5F9H5?9B: FCA 'K9HCD@: H?9M€C@5G; 9B 'B 8A 9BG€B (& ! )



89H5 @5  
 HM75@K5@A C I BH6F57?9H  
 5B8 HC I 7 < A C 8 I @6F57?9H

G89J -9K  
 I'BCA B5@8A 9BG€BGK @@  
 J5FMK #k'DFC >97H98  
 A 5; 9HC @F5B79

DFC >97 HC F 89H5 @G

8F5K B; BI A 69F	%\$%+ \$
89G7 F-#HC B	815@GD5B" GMGHA '<8' BGH5@8-5; F5A 'K #k' 85@#H
F9J G€B	\$&
85H9	&\$%+ #/ &# \$,
D5; 9	&C: &