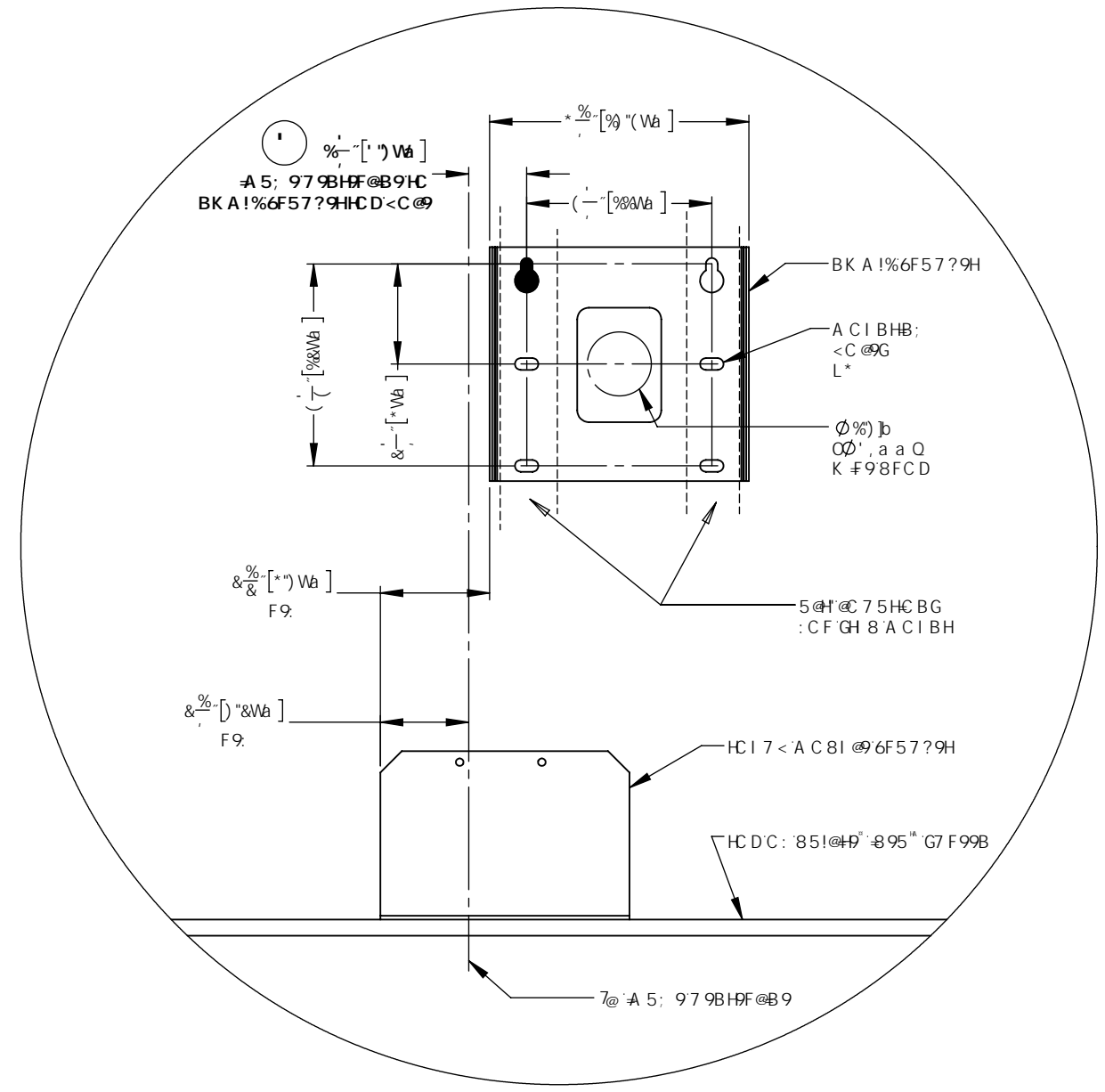
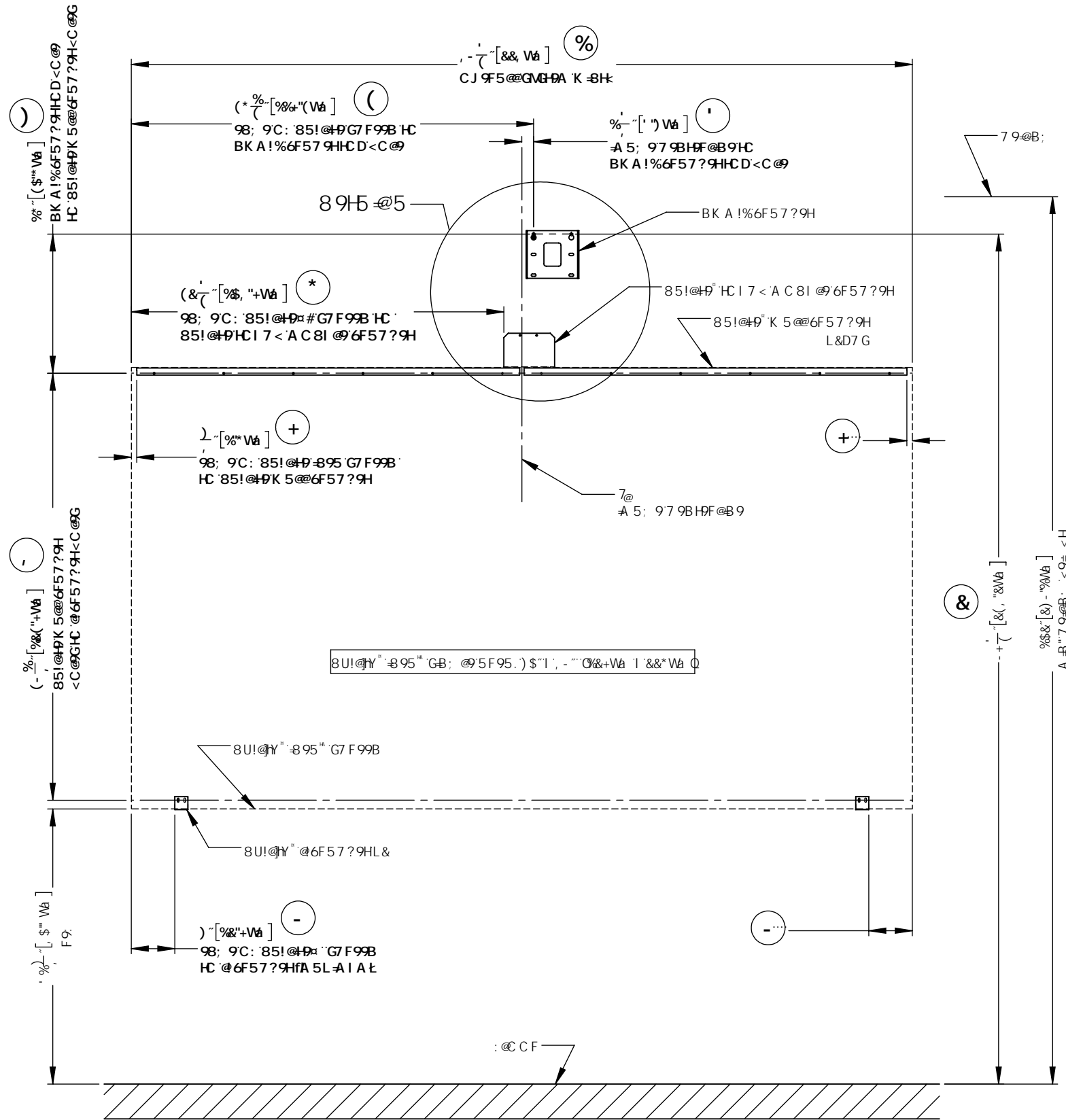


BC HPG  
 % 8-A 9BGC BG (%!) (-) 5F97F#75@HC H:9DFC D9F B GH5@5HC B:C: H:9GD5B GMGHA "  
 & CDH75@C:: G9HC A 5; 979BH9F@B95G; J 9B B 8-A 9BGC B ( )  
 BK A !%6F57?9H8-A 9BGC BG5F9H5?9B: FCA H:9HC D@: H?9M:C @5G; J 9B B 8-A 9BGC B (&!)

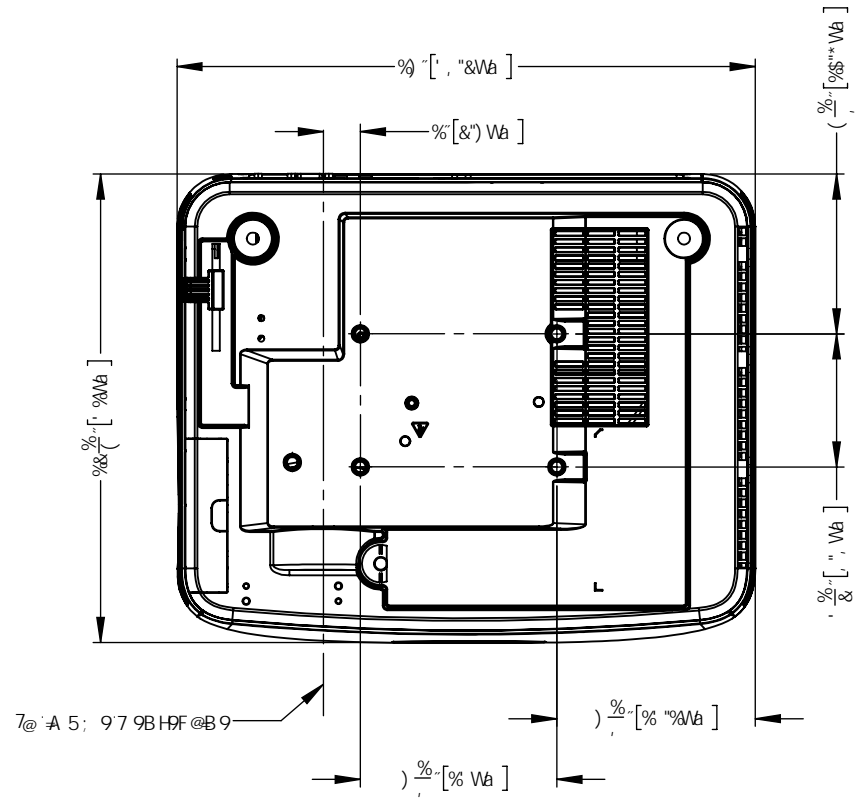
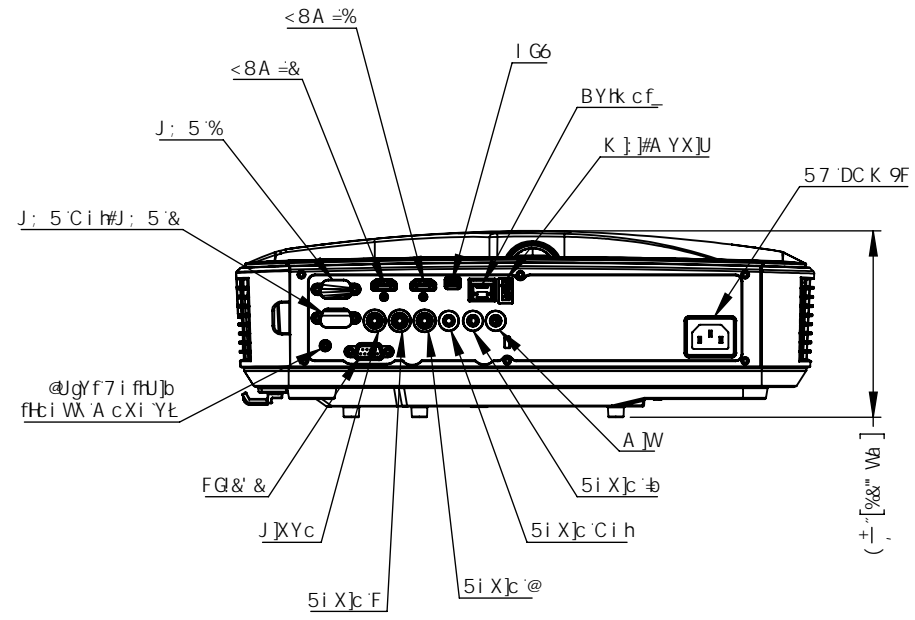


89H5 @5  
 HMD=75@K 5@A C I BH6F57?9H  
 5B8 HC I 7 < A C 8I @6F57?9H

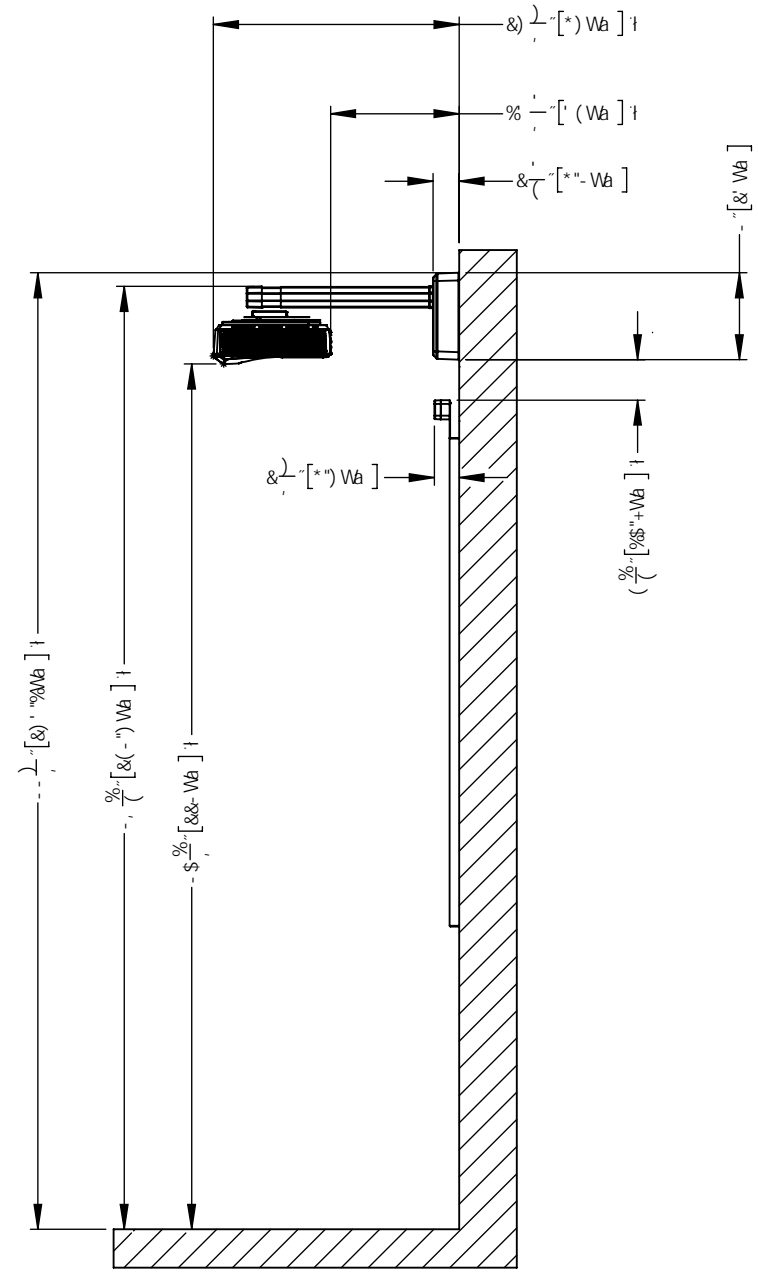
8F5K -B: B I A 69F	%\$%6' -
89G7 F-DHC B	GD5B " GMGHA <8 B GH5@5HC B 8-5; F5A K H: 85@#
F9J -GC B	\$&
85H9	&\$%+ #/(&#&\$)
D5: 9	%C : &

BC HG

% 8-A 9BGCBG ! (-) 5F97F#7 5@HC 'H:9DFCD9F 'BG5@5HC B'C: 'H:9GD5B GMGHA "  
 &" CDH7 5@C::G9HC 'A 5: 97 9BH@F@B95G: } 9B 'B 8-A 9BGCB ( )  
 ' " BK A !%6F57?9H8-A 9BGCBG5F9H5?9B : FCA 'H:9HC'D @.H?9MkC @ 5G: } 9B 'B 8-A 9BGCB (& ! )



DFC >97 HC F '89H5 @G



G-89'J -9K  
 I 'BCA 'B5@8-A 9BGCBGK @  
 J 5FMK #k 'DFC >97 H98  
 'A 5; 9'HC @F5B79

8F5K 'B; 'BI A 69F	%\$%&' -
89G7 F'DHC B	GD5B 'H GMGHA ' <8 'BG5@5HC B '8'5; F5A 'K #k '85@H9
F9J 'G-C B	\$&
85H9	&\$%+ #/(&#& \$)
D5; 9	&C: &