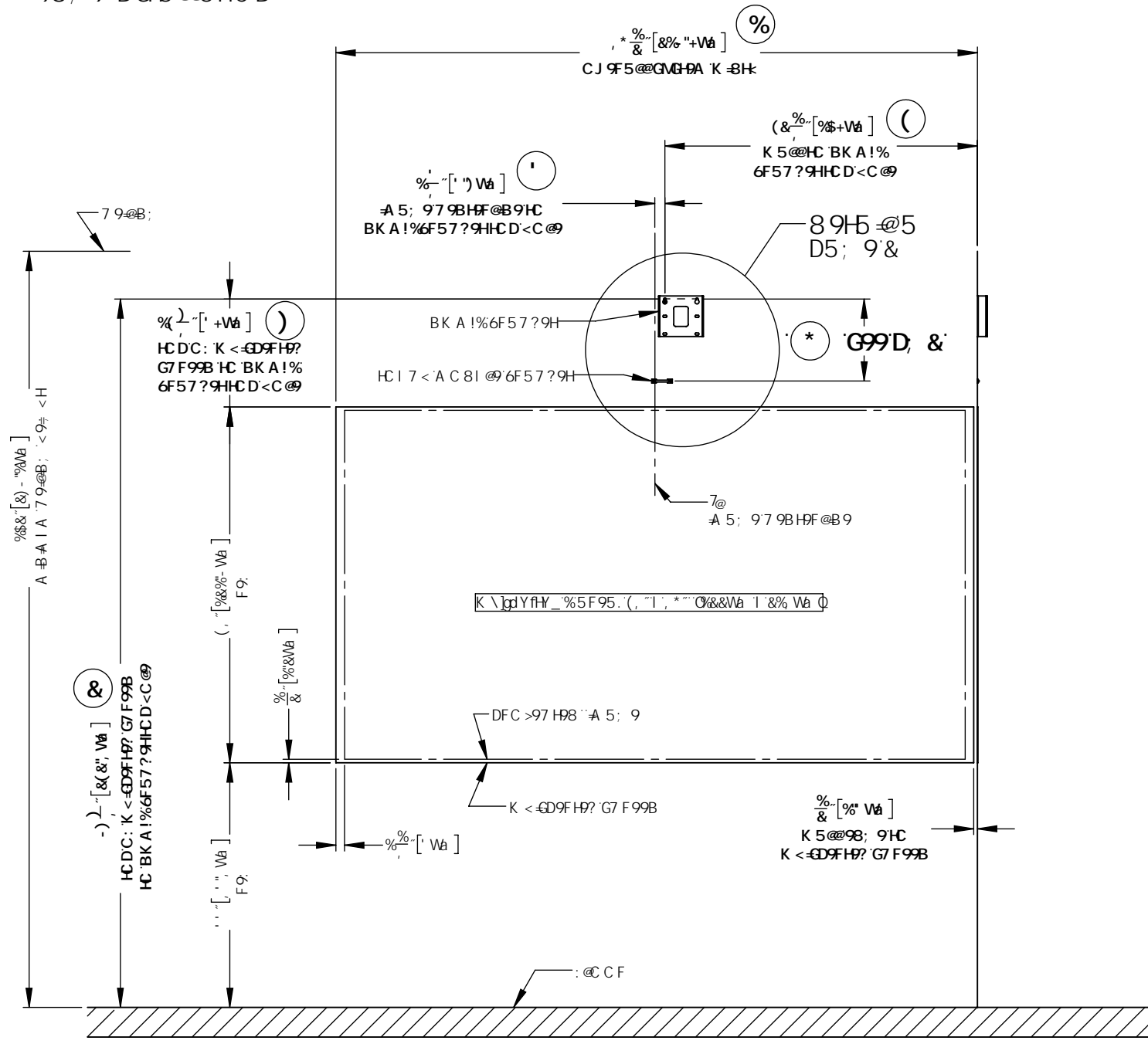
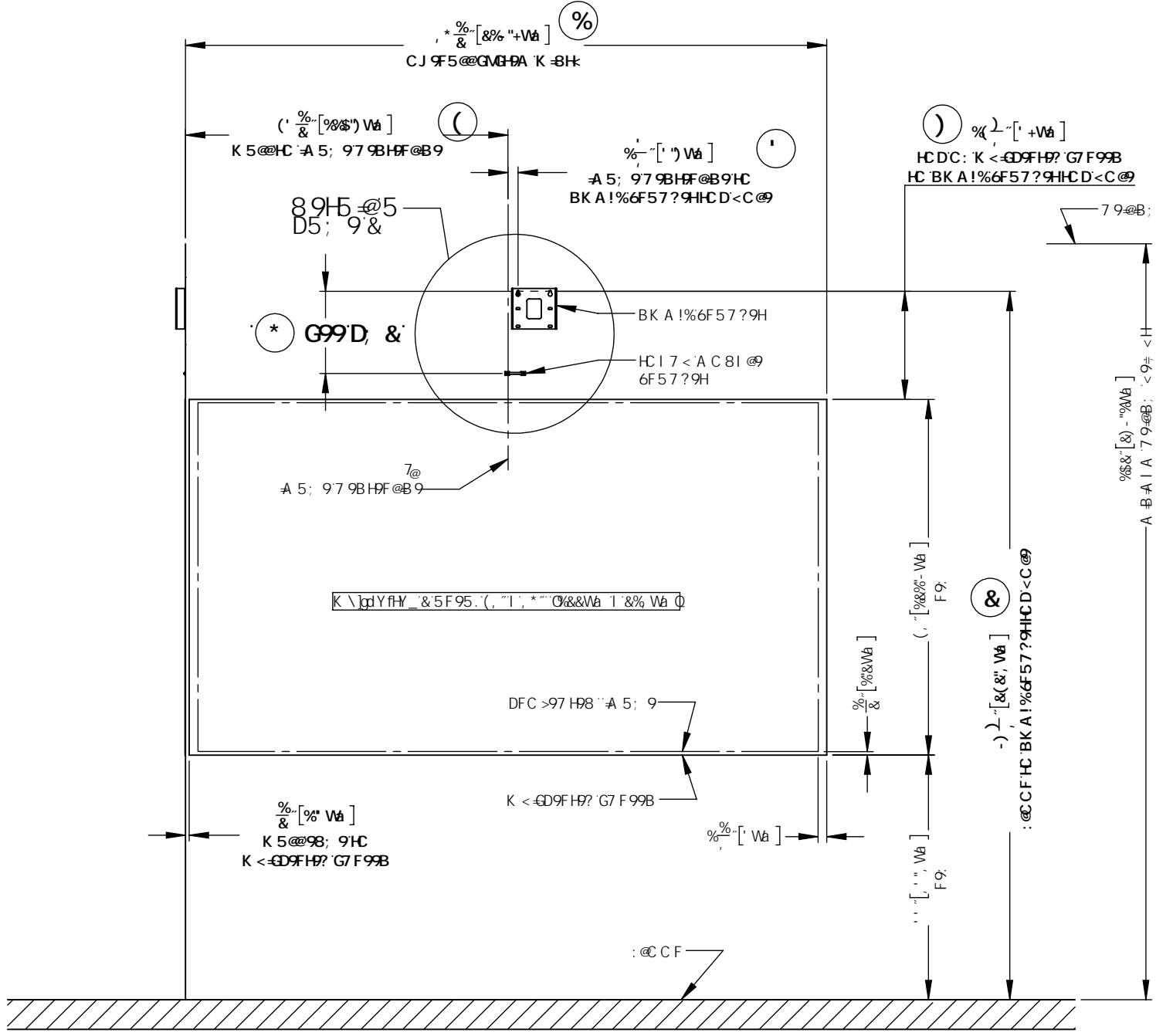


BC H9G  
 8-A 9BGC BG ( ) ! ( ) 5F97F #7 5@HC 'H:9DFC D9F 'BG5 @5 HC B' C: 'H:9GD5B 'GMGHA "  
 C DH7 5@C:: G9HC 'A 5: 97 9BH9F @B9 5G; J 9B 'B 8-A 9BGC B ( )  
 BK A !%6F57?9H8-A 9BGC BG5F9H5?9B': FCA 'H:9HCD @: H?9M'C @5G; J 9B 'B 8-A 9BGC B ( ) ! ( )

GD5B 'GMGHA ' < 8  
 98; 9 'BG5 @5 HC B



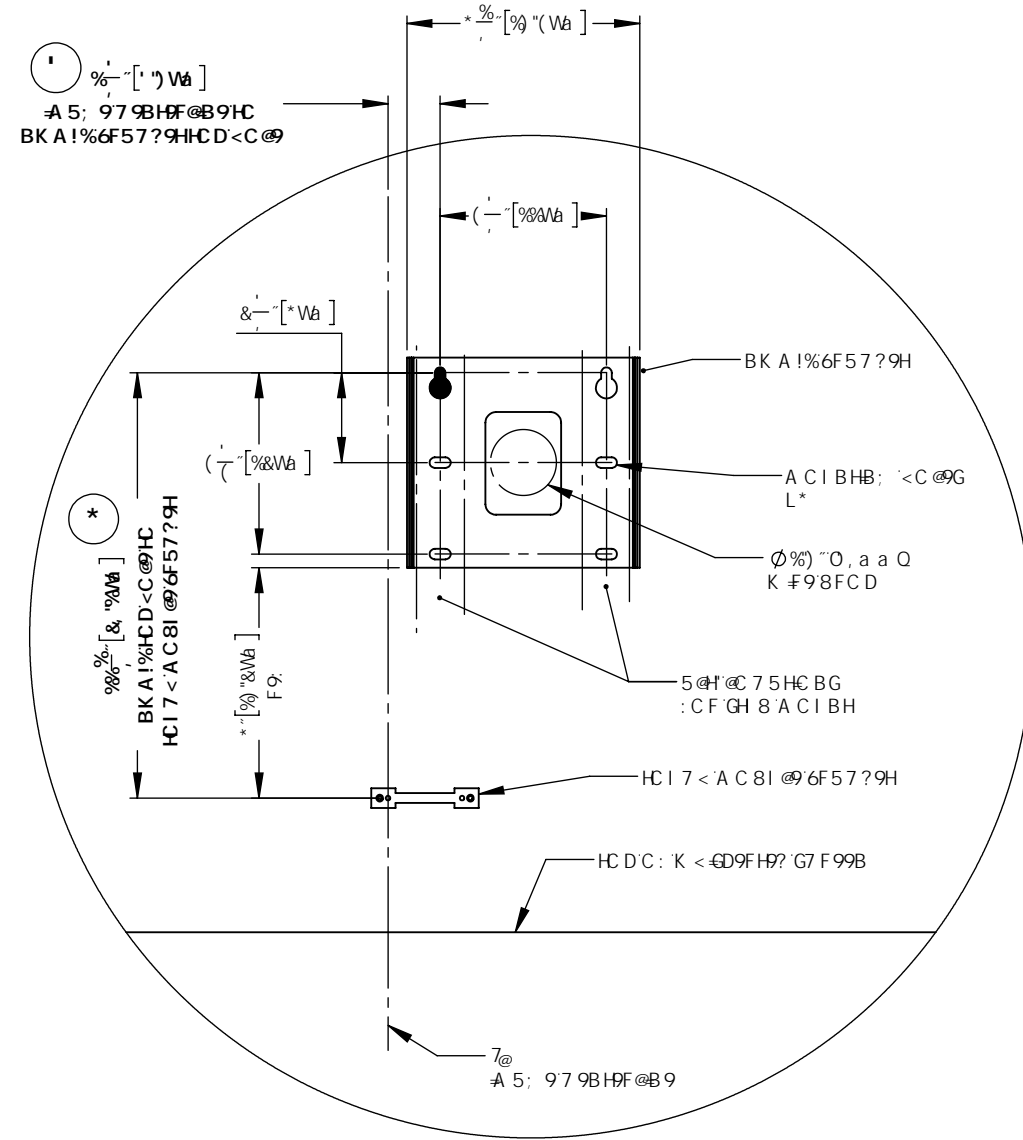
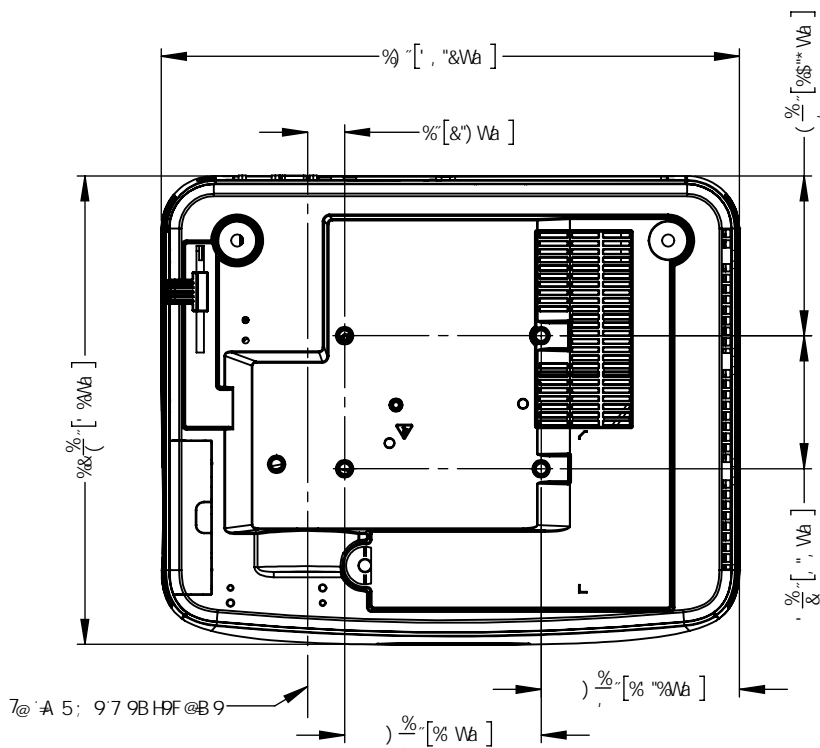
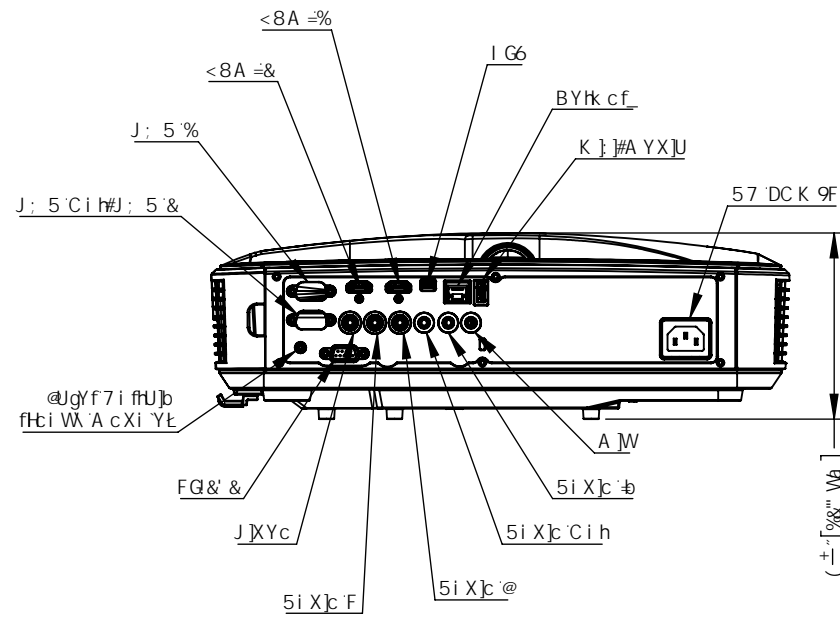
F < HJ < K



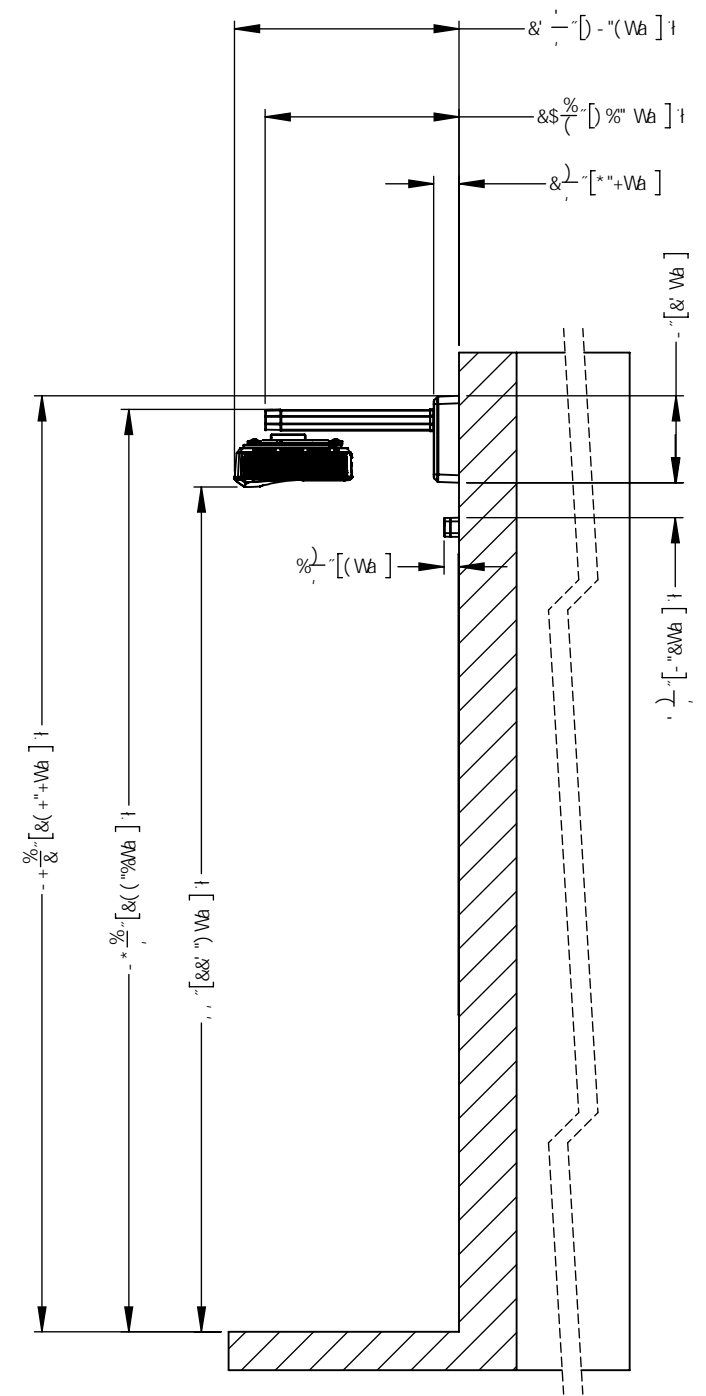
@: HJ < K

8F5K #B: BIA 69F	%\$%8%
89G7F-DHC B	GD5B <sup>HA</sup> 'GMGHA ' < 8 98; 9 'BG5 @5 HC B '8-5; F5A
F9J -€C B	\$ (
85H9	&\$%+ #/%&#%&
D5; 9	%C: &

BC HG  
 % 8A 9BG€ BG (!) \* 5F97F#7 5@HC 'K-9DFC D9F 'BGH5@5HC B.C : K-9GD5B 'GMGHA "  
 & CDH7 5@C:: G9HC 'A 5; 97 9BH9F@B95G; J 9B 'B 8A 9BGC B ( )  
 ' BK A !%6F57?9H8A 9BG€ BG5F9H5?9B : FCA 'K-9HCD @H?9M€C @5G; J 9B 'B 8A 9BGC B (&!)\*



89H5 @5  
 HMD7 5@K 5@A C I B H6F57?9H  
 5B8 HC I 7 < 'A C 8 I @ 6F57?9H



G89J 9K  
 I 'BCA B5@8A 9BG€ BGK @  
 J 5FMK #k 'DFC >97 H98  
 'A 5; 9'HC @F5B79

8F5K B; BI A 69F	%\$%&@
89G7 F-DHC B	GD5B <sup>HA</sup> 'GMGHA '<8 98; 9-BGH5@5HC B 8-5; F5A
F9J -€€ B	\$(&)
85H9	&\$%+ #/%&#/%&
D5; 9	&C: '&