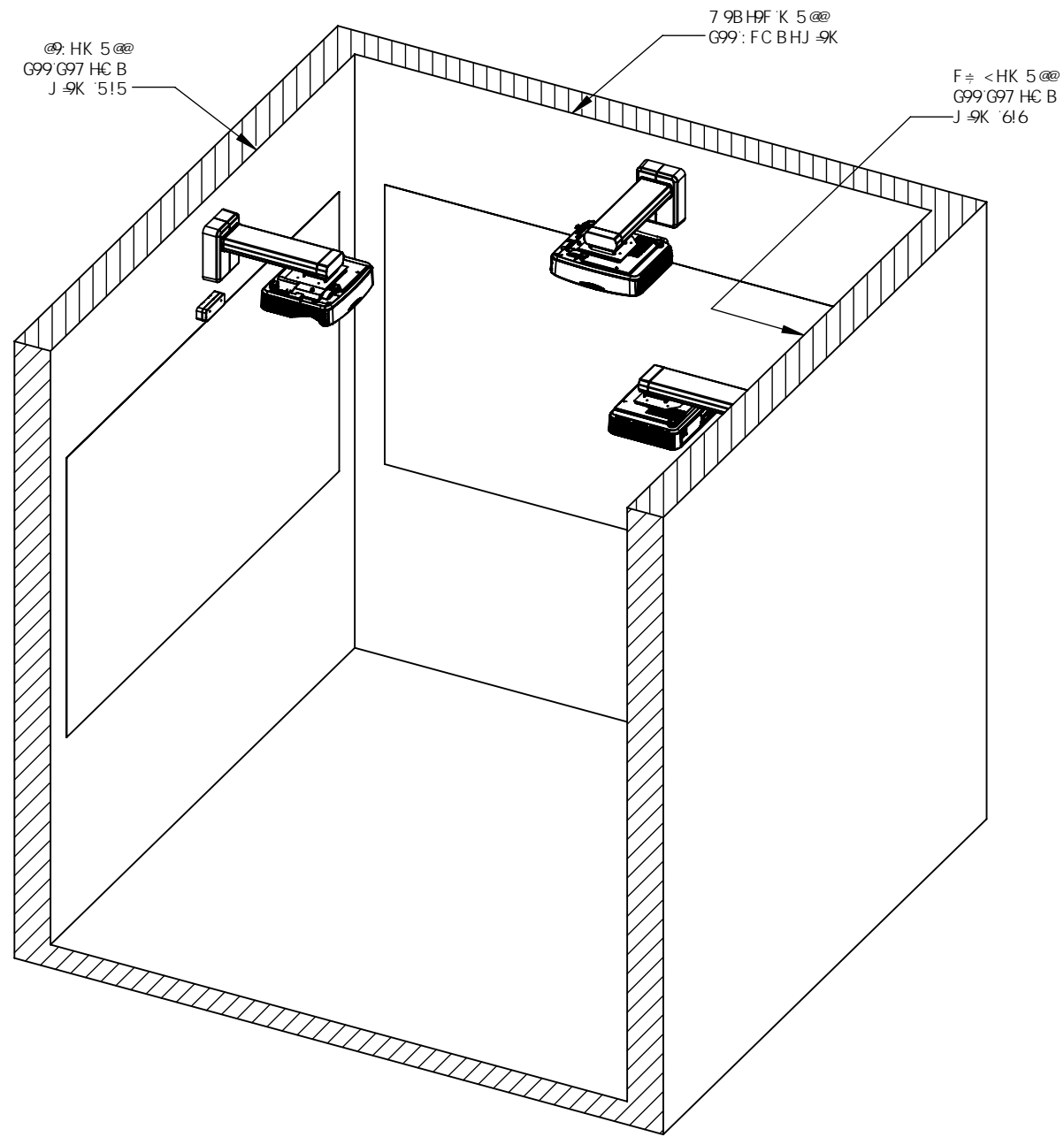
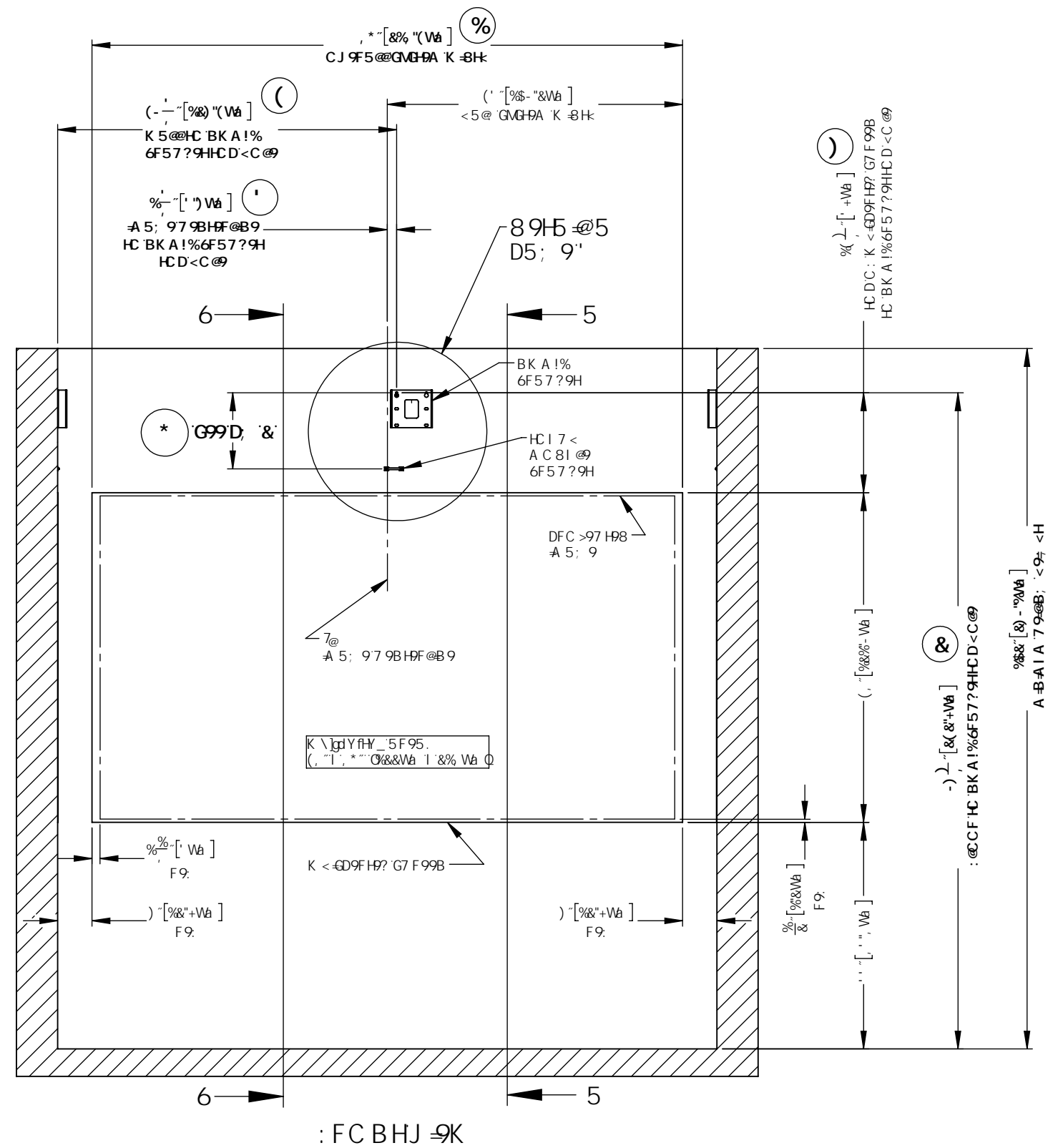


BC HPG
 % 8-A 9BG6 BG (%) ! (*) 5F97 F#7 5@HC H-9DFCD9F BGF5@5HC B.C: H-9GD5B GMGHA "
 & CDH7 5@C:: GPHC A 5: 97 9BH9F@B9 5G: J 9B B 8-A 9BG6 B ()
 BK A !%6F57?9H8-A 9BG6 BG5F9H5?9B: FCA H-9HCD@H?9MFC@5G: J 9B B 8-A 9BG6 B (& ! *)



D9F GD97 HJ 9'J 9K
 , fil , fiQ&"((a 'l '&"((a QFC CA



8F5K B; BIA 69F	%\$%&\$
8 9G7 F-DHC B	GD5B ^{HA} GMGHA <8'G' FFC I B8 BGF5@5HC B 8-5; F5A
F9J 6CB	\$(
85H9	&\$% #S&#%&
D5; 9	%C: "

