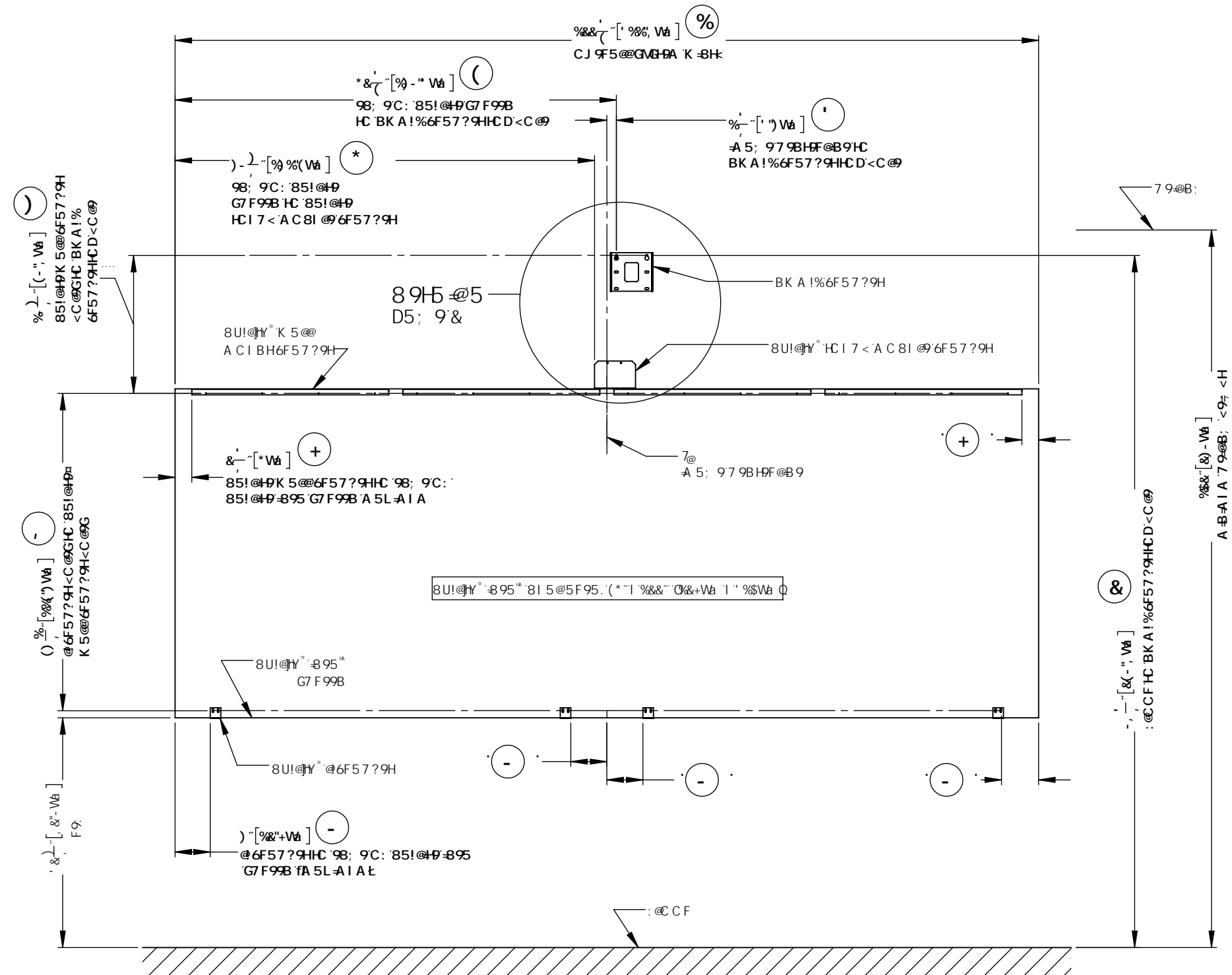
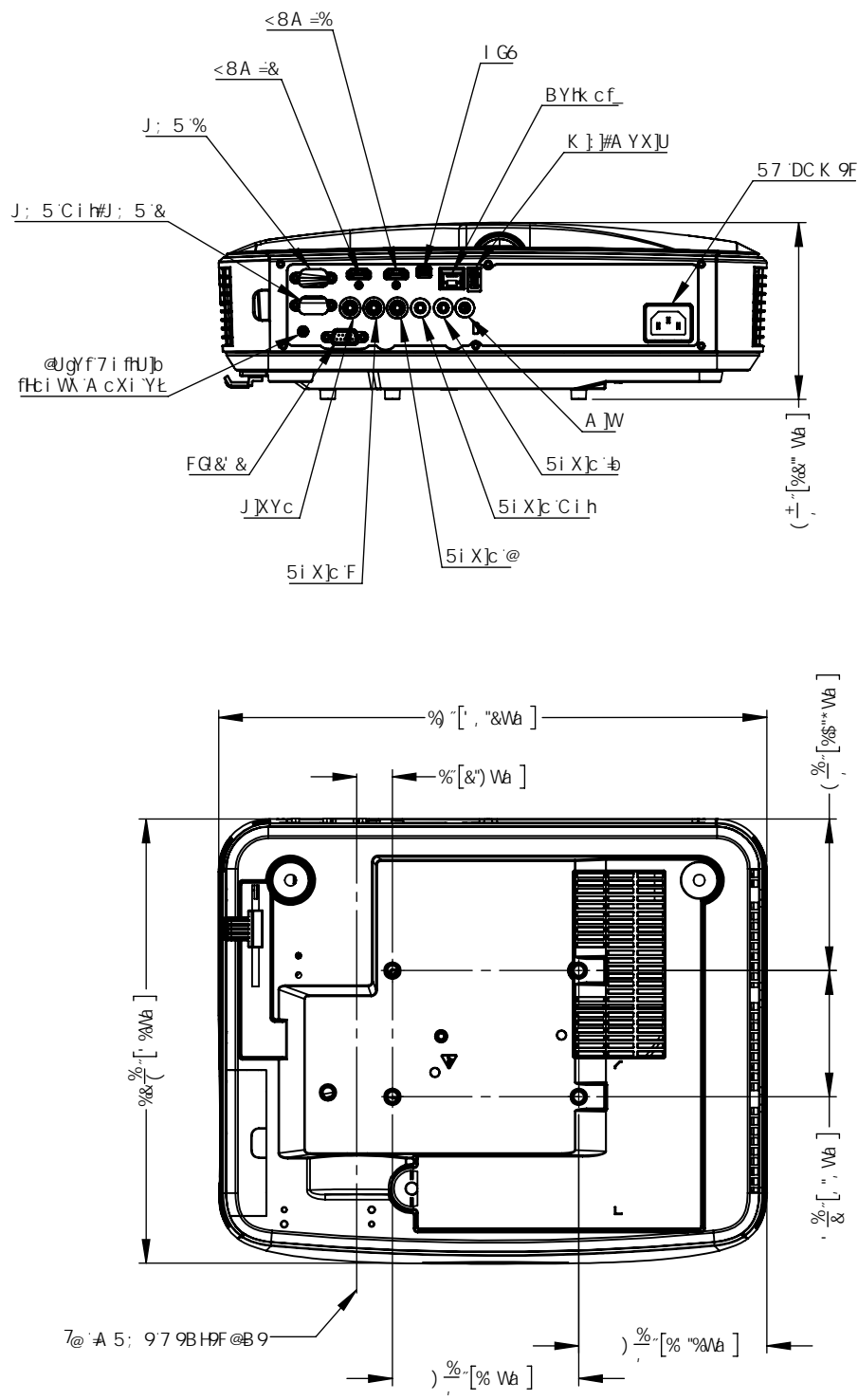


BC HPG
 % 8-A 9BGCBG(%)!(-) 5F97F#75@HC 'K:9DFC.D9F 'BGH5@5HC B.C: 'K:9GD5B'GMH9A "
 &" CDH75@C::G9HC 'A 5; 979BH9F@B95G; '9B 'B 8-A 9BGCB (')
 "' BK A !%6F57?9H8-A 9BGCBG5F9H5?9B: FCA 'K:9HC D@: H?9MFC @95G; '9B 'B 8-A 9BGCB (&!)

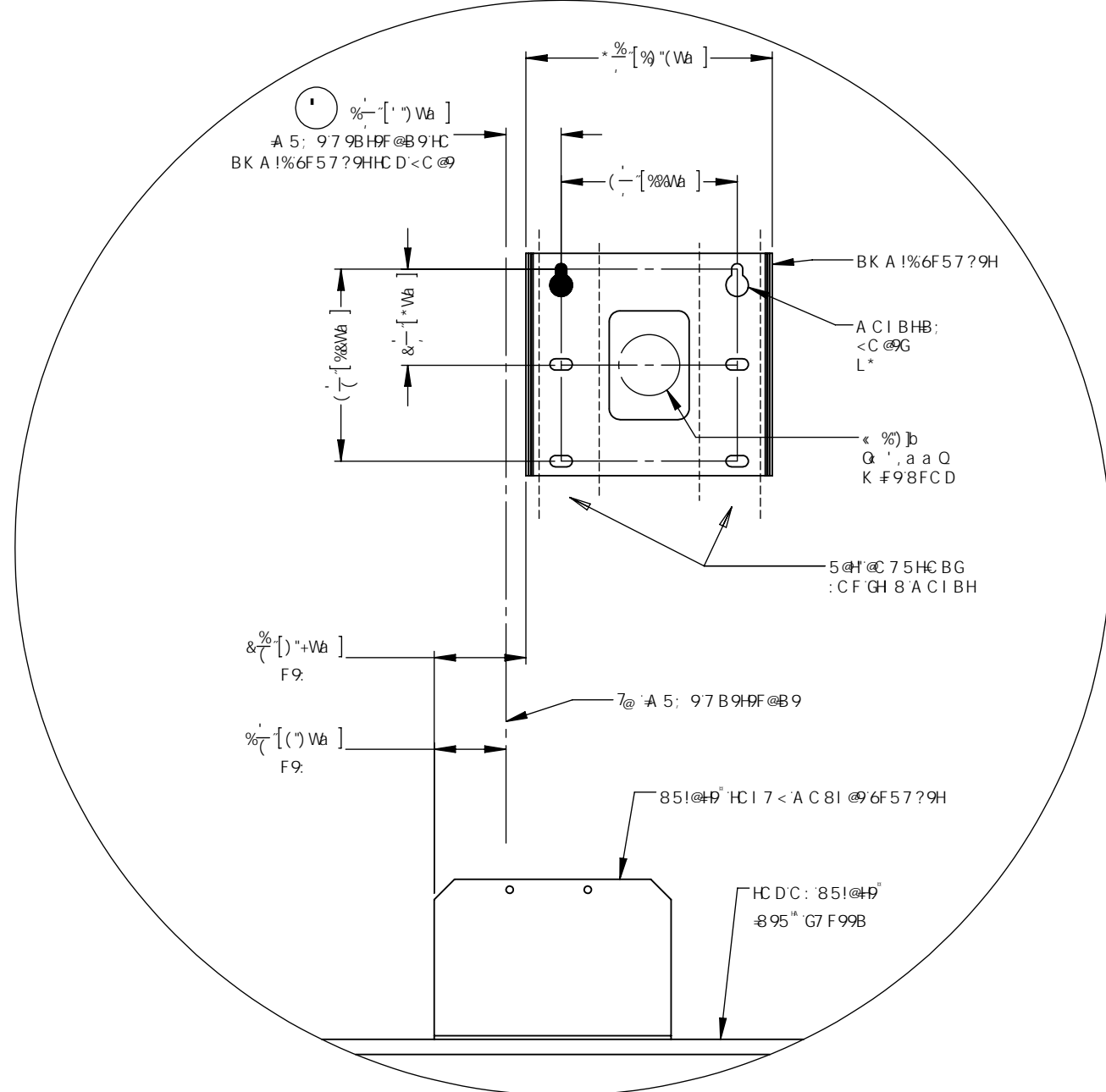


8F5K B; B I A 69F	%\$%\$*
89G7 F-DHC B	GB; @9GD5B "GMH9A 'BGH5@8-5; F5A 'K #k '85@#9
F9J GCB	\$&
85H9	\$' #& #&\$%
D5; 9	%C: &

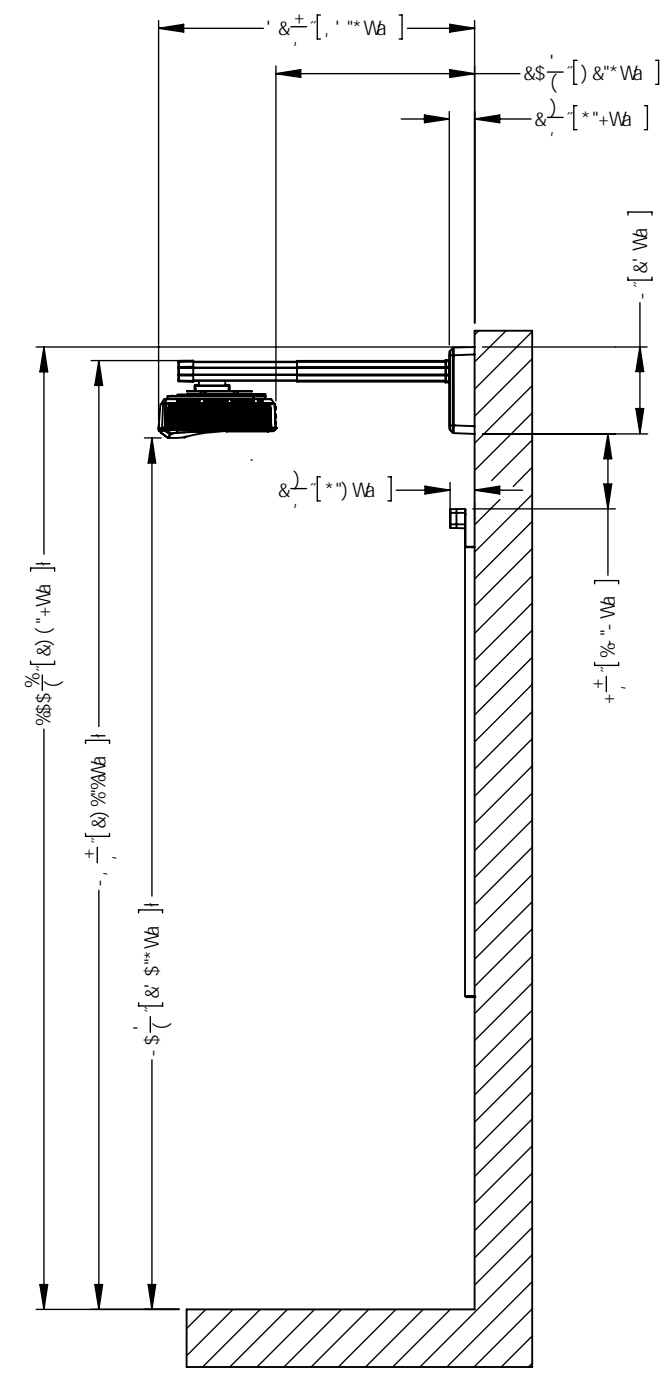
BC HPG
 % 8-A 9BG€BG (%!) 5F97F#75@HC 'K9DFCD9F 'BG5@5HC B'C: 'K9GD5B 'GMGHA "
 & CDH7 5@C:: G9HC 'A 5; 97 9BH9F@B95G; '9B 'B 8-A 9BG€B '5
 ' BK A !%6F57?9H8-A 9BG€BG5F9H5?9B: FCA 'K9HCD@: H?9M€C@5G; '9B 'B 8-A 9BG€B (&!)



DFC >97 HC F 89H5 @G



89H5 @5
 HMD= 5@K 5@@A C I BH6F57?9H
 5B8 HC I 7 < 'A C 8 I @96F57?9H



G89J 9K
 ' B C A #5@8-A 9BG€BGK @
 J 5FMK #k 'DFC >97 H98
 A 5; 9'HC @9F5B79

8F5K -B; 'B I A 69F	%\$%&'
89G7 F-#HC B	GB; @9GD5B 'H 'GMGHA 'BG5@@8-5; F5A 'K #k '85@#9
F9J -€C B	\$&
85H9	\$' #&, #&\$%
D5; 9	&C: &