

4

3

2

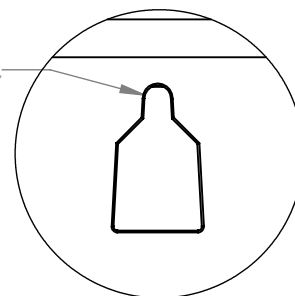
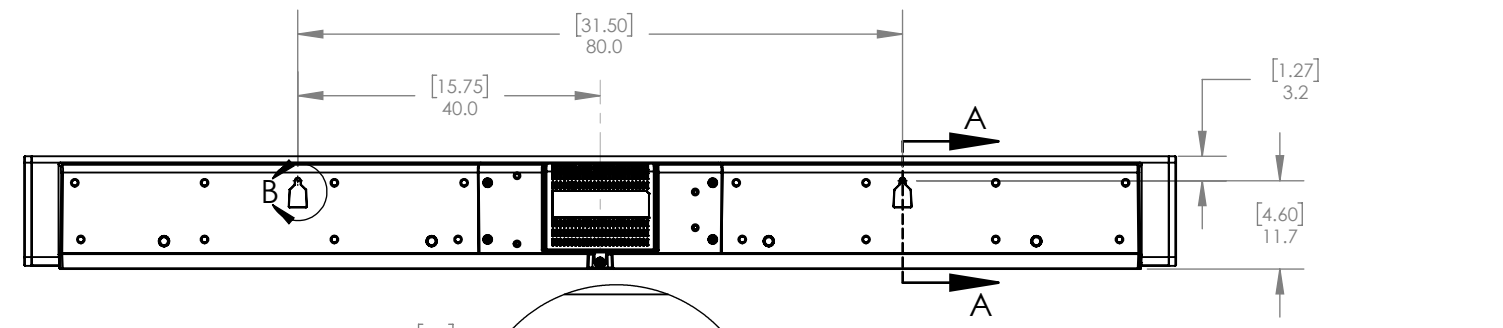
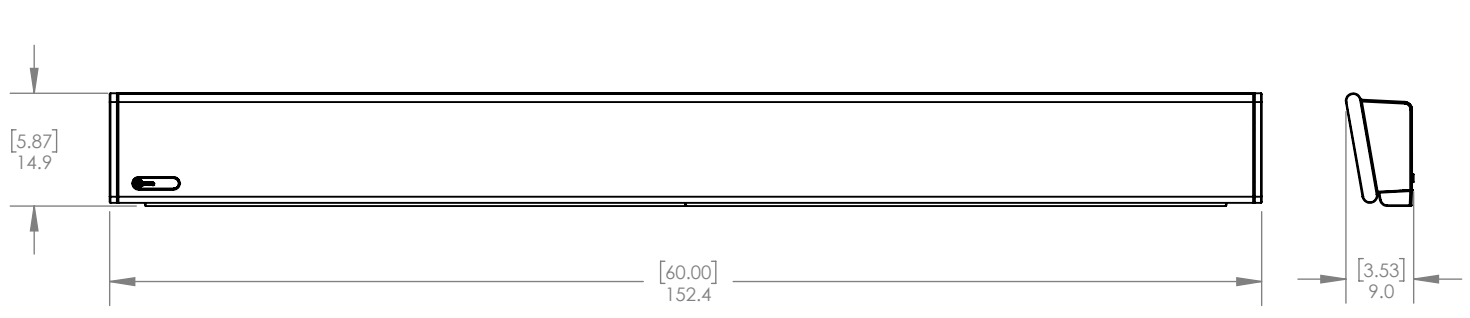
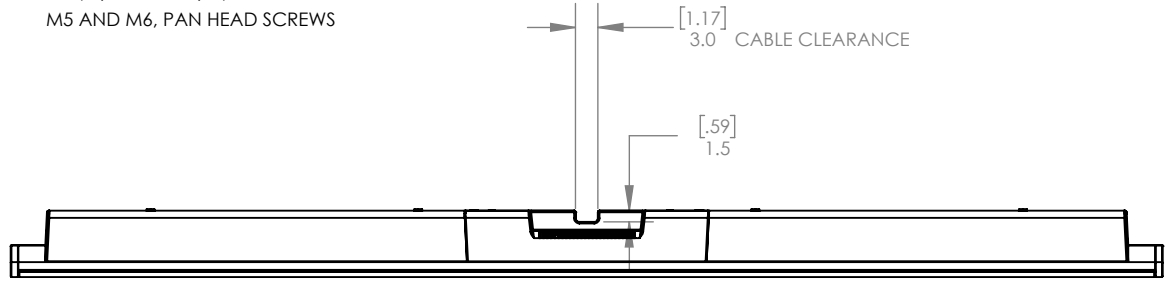
1

NOTES:

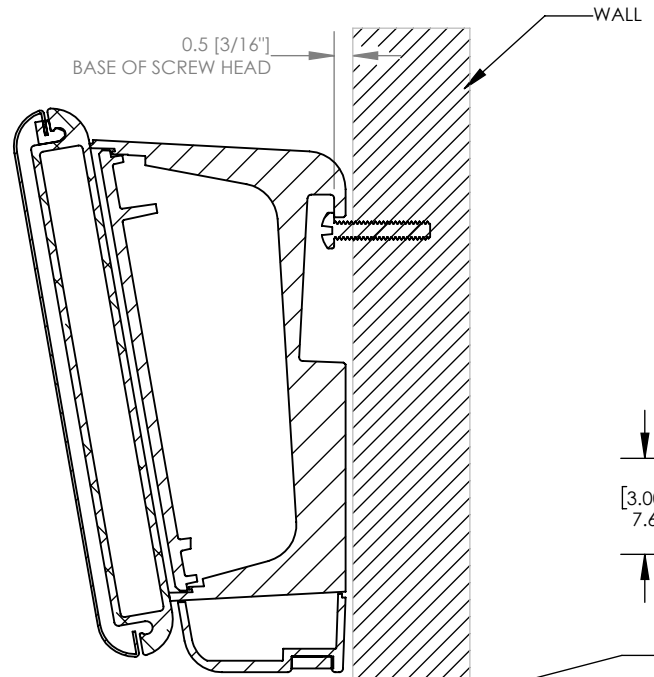
- 1. PRODUCT WEIGHT: 8.2KG [18LBS]
- 2. ACCEPTABLE SCREW TYPES FOR MOUNTING:
 - 1. #10, 3/16" AND 1/4", PAN HEAD SCREWS
 - 2. M5 AND M6, PAN HEAD SCREWS



REVISIONS				
ZONE	REV.	DESCRIPTION	DATE	APPROVED
	1	INITIAL RELEASE	6/10/2016	MH
B4, 2-B4	2	UPDATED SYSTEM WEIGHTS	9/19/2016	CG
A4	3	UPDATED MICROPHONE CLEARANCE ZONE	8/3/2017	PA



DETAIL B - KEYHOLE MOUNT
SCALE 1 : 2



SECTION A-A
SCALE 1 : 2

THIRD ANGLE PROJECTION

This document and the information contained herein are the property of Nureva Inc. and constitute confidential information. This confidential information shall not be copied or used by, or disclosed to, any person without the express written consent of Nureva Inc.

© Nureva Inc.

APPLICABLE STANDARDS		NAME	DATE
SPEC.	DESCRIPTION	DRAWN	DATE
		CG	5/17/2016
		CHECKED	MH 5/17/2016
		MATERIAL	NA
		FINISH	NA

UNLESS OTHERWISE SPECIFIED, DIMENSIONS ARE IN **cm[IN]**

nureva

TITLE: HDL300, MECHANICAL DRAWING

SIZE	DWG. NO.	REV
B	101038	3

SCALE: NTS SHEET 1 OF 2

Drawing template: 100233-02

4

3

2


1

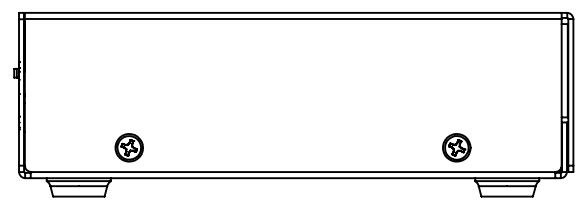
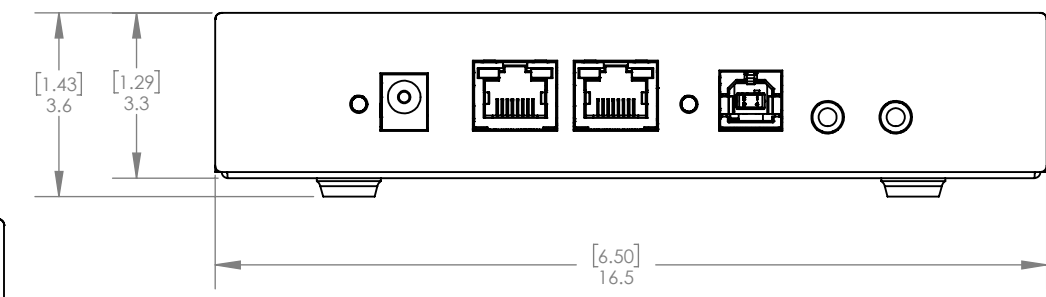
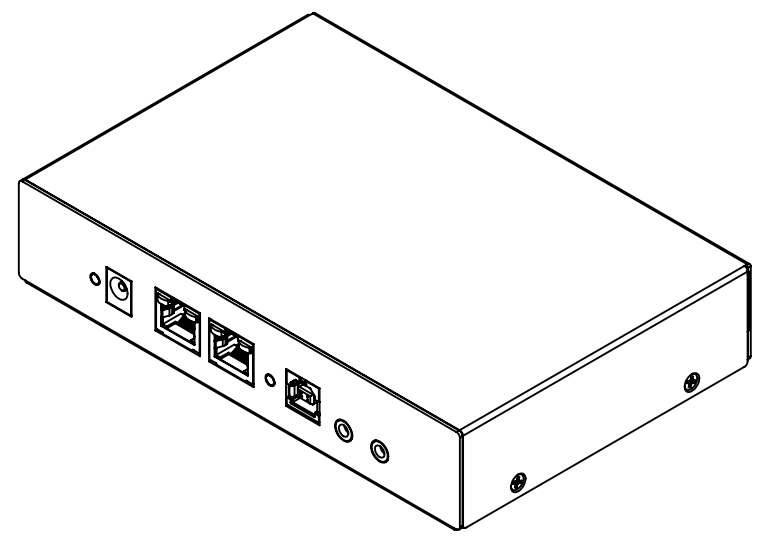
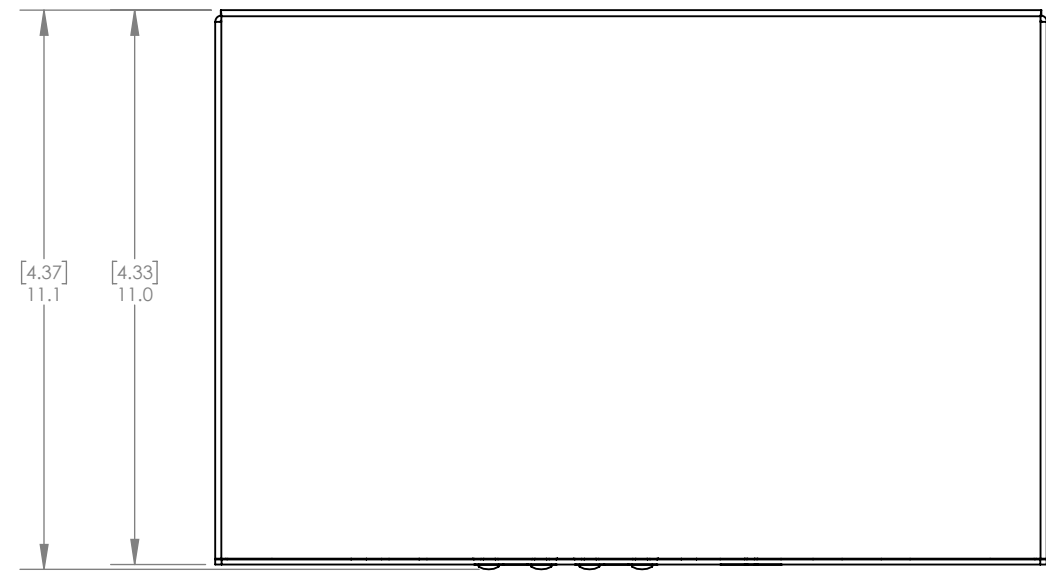
4

3

2

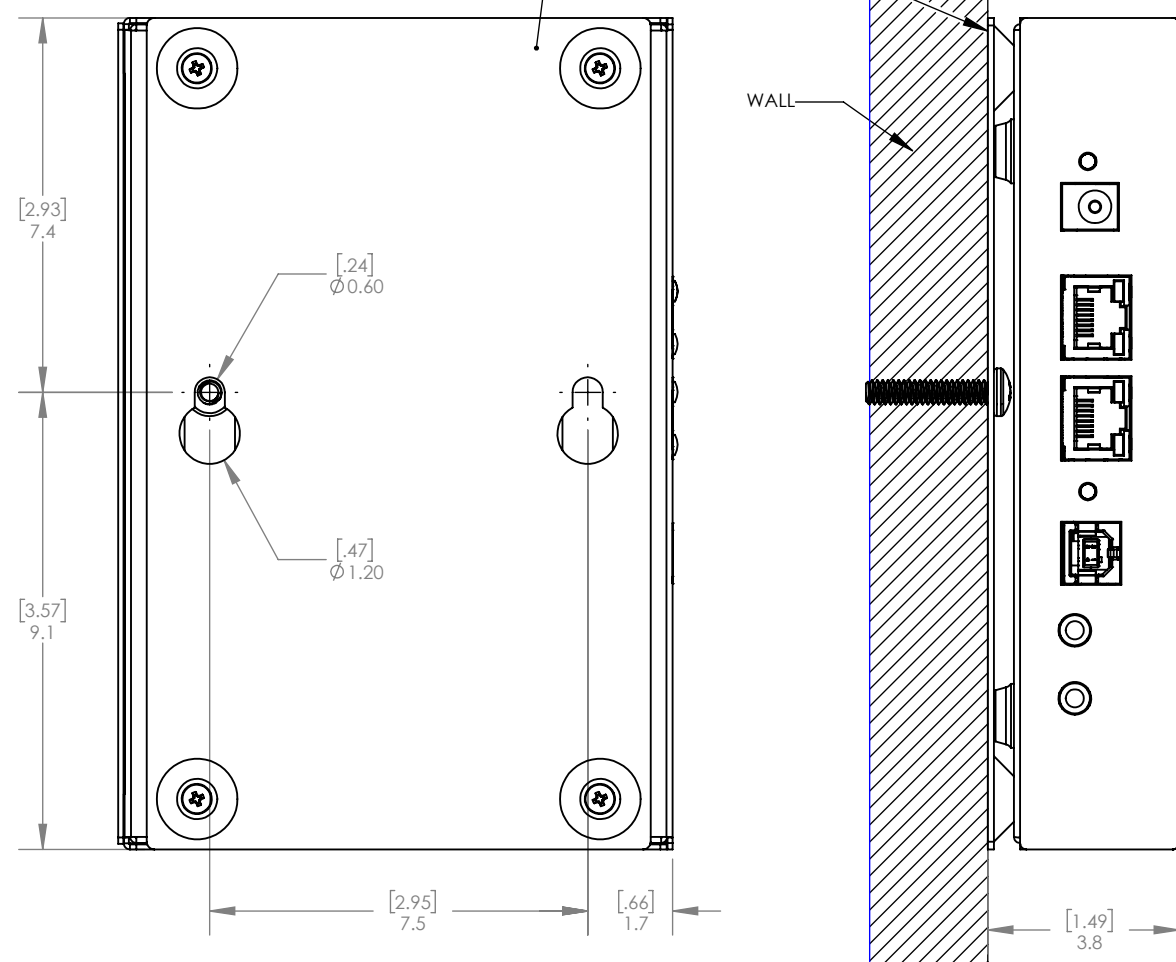
1


- NOTES:
1. PRODUCT WEIGHT: .7KG [1.5LBS] 
 2. ACCEPTABLE SCREW TYPES FOR MOUNTING:
 1. #10 AND 3/16", PAN HEAD SCREWS
 2. M5 PAN HEAD SCREW



OPTIONAL
WALL MOUNTING
BRACKET

WALL



		
TITLE: HDL300, MECHANICAL DRAWING		
SIZE	DWG. NO.	REV
B	101038	3
SCALE: NTS		SHEET 2 OF 2

Drawing template: 100072-03

4

3

2

1

B

B

A

A