

4

3

2

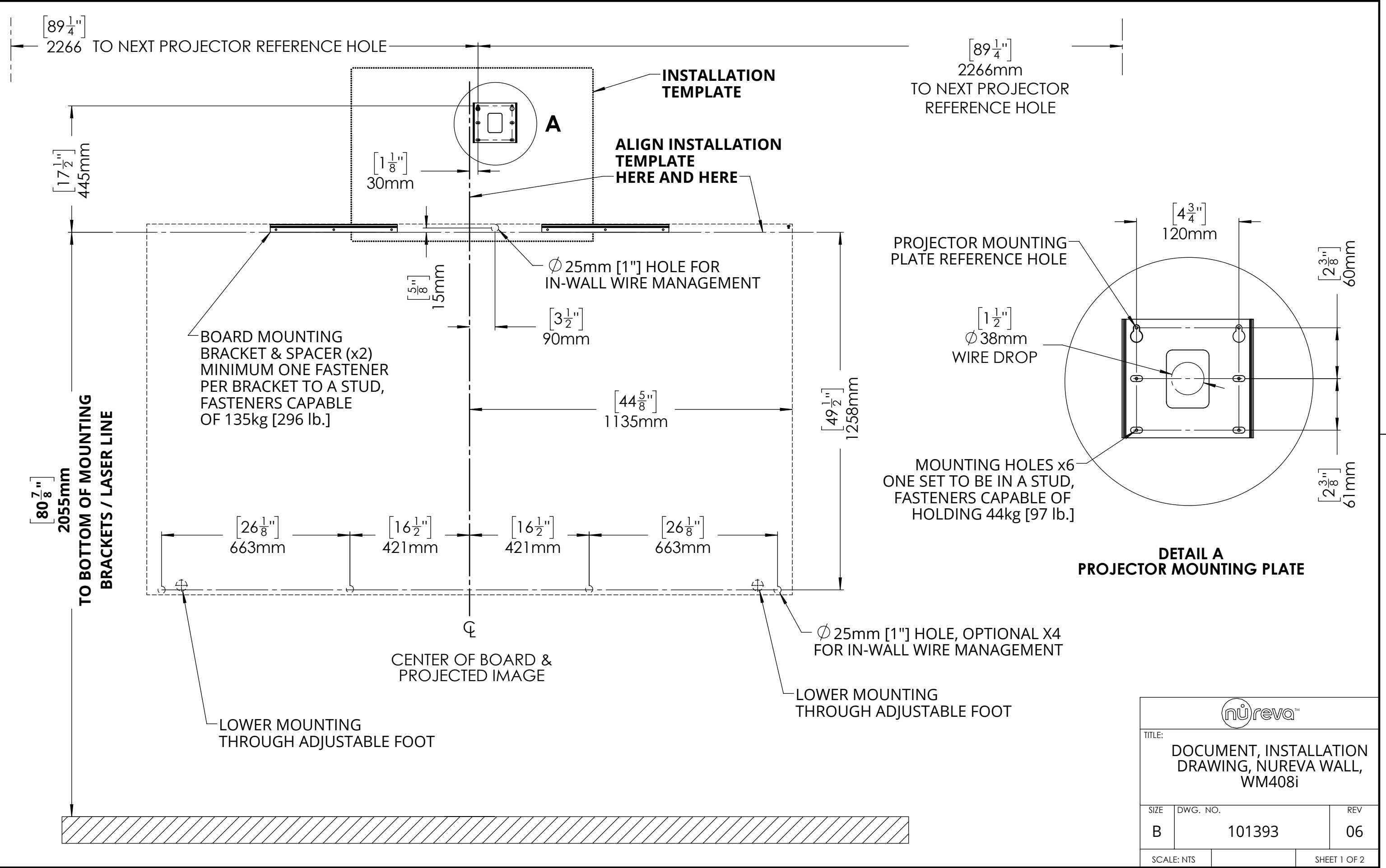
1

B

B

A

A



TITLE: DOCUMENT, INSTALLATION DRAWING, NUREVA WALL, WM408i		
SIZE B	DWG. NO. 101393	REV 06
SCALE: NTS		SHEET 1 OF 2

4

3

2

1

WM408i WITH HDL300 INSTALLATION

SINGLE WM408I SYSTEM

HDL300
AUDIO SYSTEM

[16 7/8"]
430mm

PROJECTOR
MOUNTING PLATE

[31 1/2"]
800mm

NTP-1 BOARD

[9 1/2"]
242mm
TO PROJECTOR
REFERENCE HOLE

WM408i CORNER INSTALLATION

[45 1/8"]
1146mm
TO PROJECTOR
REFERENCE HOLE

B

[47 3/8"]
1205mm
TO PROJECTOR
REFERENCE HOLE

DUAL WM408I SYSTEM

PROJECTOR
MOUNTING PLATE

[89 1/4"]
2266

PROJECTOR
MOUNTING PLATE

[31 1/2"]
800mm

[30"]
763mm

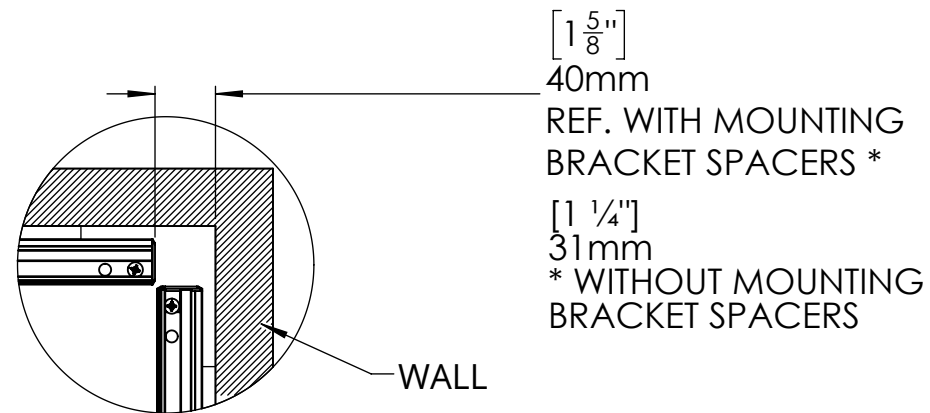
HDL300
AUDIO SYSTEM

[15 3/4"]
400mm

BETWEEN
NTP-1 BOARDS

[9 1/2"]
242mm
TO PROJECTOR
REFERENCE HOLE

[6 7/8"]
175mm
TO TOP OF
BOARD



DETAIL B
CORNER DETAILS

TITLE: DOCUMENT, INSTALLATION DRAWING, NUREVA WALL, WM408i		
SIZE B	DWG. NO. 101393	REV 06
SCALE: NTS		SHEET 2 OF 2

4

3

2

1

B

B

A

A