



HDL300 audio conferencing systems

Installation requirements and recommendations

Recommended room size

Single HDL300

Square footage

Minimum: 8.0' x 8.0' (2.4 x 2.4 m)
Maximum: 30.0' x 30.0' (9.1 x 9.1 m)

Recommended integrated microphone and speaker bar installation height

Minimum: 7'1" (2.13 m)
Maximum: 10' (3.05 m)

Dual HDL300

Square footage

Minimum: 20.0' x 40.0' (6.1 x 12.19 m)
Maximum: 30.0' x 50.0' (9.14 x 15.24 m)

Recommended integrated microphone and speaker bar installation height

Minimum: 7'1" (2.13 m)
Maximum: 10' (3.05 m)

Microphone clearance requirements

The microphone array is located along the bottom edge of the microphone and speaker bar. Ensure the installation location meets the following requirements and recommendations to optimize microphone pick up.

Recommended ceiling height

Minimum: 8.0' (2.4 m)
Maximum: N/A

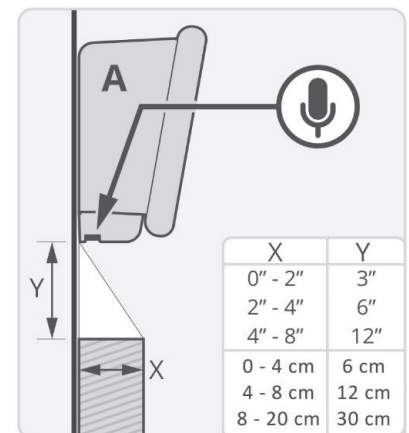
The HDL300 system can be used in areas with tall ceilings if the reverberation and noise levels are within reason.

1 Ensure there is adequate clearance below the microphones

When installing the system, ensure the integrated microphone and speaker bar has adequate clearance between the bottom of the bar and any objects located directly below the bar.

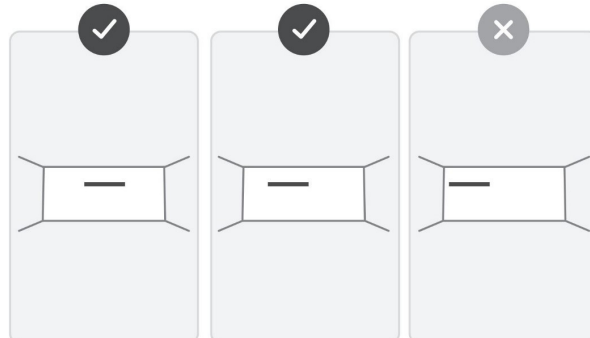
2 Do not install the microphone and speaker bar above hardware with fans

Hanging the product above hardware with fans, such as flat panel displays, can cause interference with the microphone pickup.

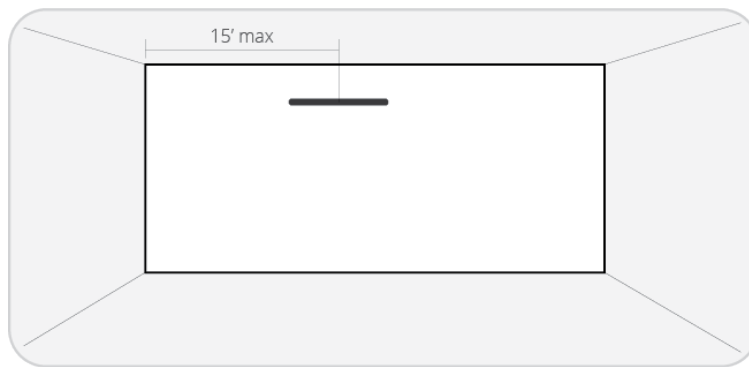


3 Allow for adequate space between the outside edges of the speaker bar and the corners of the room

Installing the integrated microphone and speaker bar against the corner of a room will impede the microphone pickup.

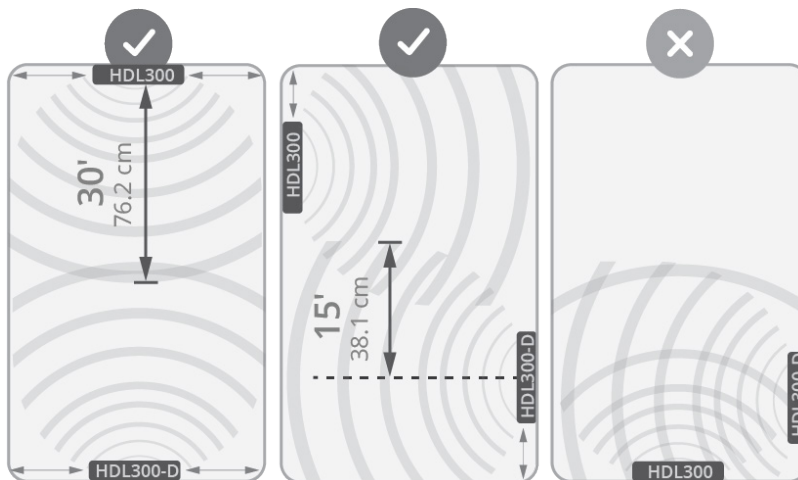


Make sure the microphone and speaker bar is no more than 15' from any corners. If this criteria positions the microphone and speaker bar too far from the center of the wall, consider upgrading to a dual system.



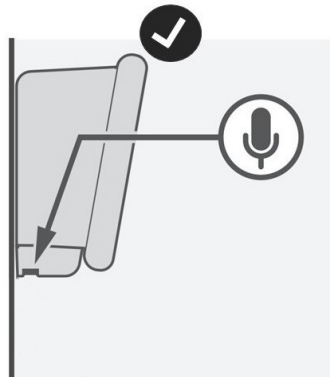
4 Place the second HDL300 unit on a wall with minimal overlap with the first

Although some overlap in range is ideal, placing the HDL300 units too close to each other might not be optimal for room coverage.

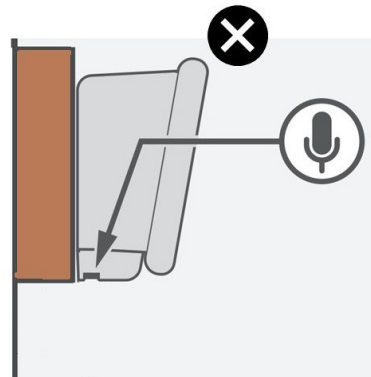


5 Install the microphone and speaker bar flush against the wall

The microphone array needs to be flush with the wall below to optimize microphone pick up. If you are hanging the unit on a mount, ensure it has at least 4" (10.2 cm) of flush, flat space below the microphone array.



Side-view of the microphone and speaker bar flush against the wall



Side-view of the microphone and speaker bar mounted on a piece of wood. The microphone array is not flush with the wall below it.

6 Do not install the microphone and speaker bar on soft surfaces

Soft surfaces, such as cubicle wall paneling, will absorb the sound and interfere with microphone pickup.

7 Avoid installing the microphone and speaker bar in recessed areas

Placing the bar into a recessed area of the room will negatively affect the microphone pickup.

4 Download the Nureva Room Manager

The Nureva Room Manager offers HDL300 configuration options and keeps the HDL300 firmware up to date.

*The Dual HDL300 must have a firmware version of 1.8 or newer.

